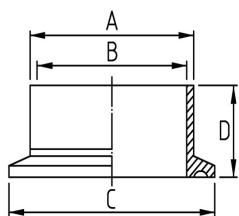
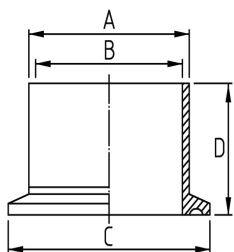


FERRULE DIN



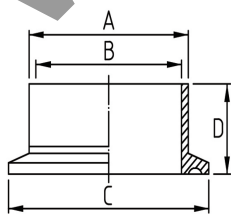
DN	A mm	B mm	C mm	D mm	E mm	kg	AISI 304/1.4301 Art.-Nr.	AISI 316L/1.4404 Art.-Nr.2
6	8.00	6.00	25.00	12.70		0.02	131140-8	131170-8
8	10.00	8.00	25.00	12.70		0.02	131140-10	131170-10
10	12.00	9.00	34.00	18.00		0.03	131140-12	131170-12
10	13.00	10.00	34.00	18.00		0.03	131140-13	131170-13
15	18.00	15.00	34.00	18.00		0.03	131140-18	131170-18
15	19.00	16.00	34.00	18.00		0.03	131140-19	131170-19
20	22.00	19.00	34.00	18.00		0.03	131140-22	131170-22
20	23.00	20.00	34.00	18.00		0.03	131140-23	131170-23
25	28.00	25.00	50.50	21.50		0.07	131140-28	131170-28
25	29.00	26.00	50.50	21.50		0.07	131140-29	131170-29
32	34.00	31.00	50.50	21.50		0.06	131140-34	131170-34
32	35.00	32.00	50.50	21.50		0.06	131140-35	131170-35
40	40.00	37.00	50.50	21.50		0.05	131140-40	131170-40
40	41.00	38.00	50.50	21.50		0.05	131140-41	131170-41
50	52.00	49.00	64.00	21.50		0.07	131140-52	131170-52
50	53.00	50.00	64.00	21.50		0.07	131140-53	131170-53
65	70.00	66.00	91.00	28.00		0.10	131140-70	131170-70
80	85.00	81.00	106.00	28.00		0.20	131140-85	131170-85
100	104.00	100.00	119.00	28.00		0.25	131140-104	131170-104
125	129.00	125.00	155.00	28.00		0.51	131140-129	131170-129
150	154.00	150.00	183.00	28.00		0.67	131140-154	131170-154
200	204.00	200.00	233.50	28.00		0.70	131140-204	131170-204

FERRULE DIN LONG (28,6mm)



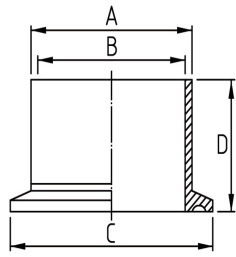
DN	A mm	B mm	C mm	D mm	E mm	kg	AISI 304/1.4301 Art.-Nr.	AISI 316L/1.4404 Art.-Nr.2
6	8.00	6.00	25.00	28.60		0.03	137140-8	137170-8
8	10.00	8.00	25.00	28.60		0.03	137140-10	137170-10
10	12.00	9.00	34.00	28.60		0.04	137140-12	137170-12
10	13.00	10.00	34.00	28.60		0.04	137140-13	137170-13
15	18.00	15.00	34.00	28.60		0.04	137140-18	137170-18
15	19.00	16.00	34.00	28.60		0.04	137140-19	137170-19
20	22.00	19.00	34.00	28.60		0.04	137140-22	137170-22
20	23.00	20.00	34.00	28.60		0.04	137140-23	137170-23
25	28.00	25.00	50.50	28.60		0.07	137140-28	137170-28
25	29.00	26.00	50.50	28.60		0.07	137140-29	137170-29
32	34.00	31.00	50.50	28.60		0.06	137140-34	137170-34
32	35.00	32.00	50.50	28.60		0.06	137140-35	137170-35
40	40.00	37.00	50.50	28.60		0.07	137140-40	137170-40
40	41.00	38.00	50.50	28.60		0.07	137140-41	137170-41
50	52.00	49.00	64.00	28.60		0.09	137140-52	137170-52
50	53.00	50.00	64.00	28.60		0.09	137140-53	137170-53
65	70.00	66.00	91.00	28.60		0.10	137140-70	137170-70
80	85.00	81.00	106.00	28.60		0.20	137140-85	137170-85
100	104.00	100.00	119.00	28.60		0.22	137140-104	137170-104
125	129.00	125.00	155.00	28.60		0.51	137140-129	137170-129
150	154.00	150.00	183.00	28.60		0.67	137140-154	137170-154
200	204.00	200.00	233.50	28.60		0.70	137140-204	137170-204

FERRULE SMS



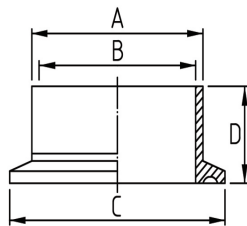
DN	A mm	B mm	C mm	D mm	E mm	kg	AISI 304/1.4301 Art.-Nr.	AISI 316L/1.4404 Art.-Nr.2
25	25.00	22.50	50.50	21.50		0.07	131240-25	131270-25
38	38.00	35.50	50.50	21.50		0.07	131240-38	131270-38
51	51.00	48.50	64.00	21.50		0.11	131240-51	131270-51
63.5	63.50	60.30	77.50	21.50		0.13	131240-63	131270-63
76.1	76.10	72.90	91.00	21.50		0.15	131240-76	131270-76
101.6	101.60	97.60	119.00	21.50		0.24	131240-101	131270-101
104	104.00	100.00	119.00	21.50		0.24	131240-104	131270-101

FERRULE SMS LONG (28,6)



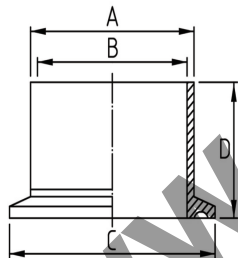
DN	A mm	B mm	C mm	D mm	E mm	kg	AISI 304/1.4301 Art.-Nr.	AISI 316L/1.4404 Art.-Nr.2
25	25.00	22.50	50.50	28.60		0.08	137240-25	137270-25
38	38.00	35.50	50.50	28.60		0.08	137240-38	137270-38
51	51.00	48.50	64.00	28.60		0.12	137240-51	137270-51
63.5	63.50	60.30	77.50	28.60		0.14	137240-63	137270-63
76.1	76.10	72.90	91.00	28.60		0.16	137240-76	137270-76
101.6	101.60	97.60	119.00	28.60		0.25	137240-101	137270-101
104	104.00	100.00	119.00	28.60		0.26	137240-101	137270-101

FERRULE ISO



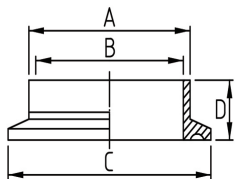
DN	A mm	B mm	C mm	D mm	E mm	kg	AISI 304/1.4301 Art.-Nr.	AISI 316L/1.4404 Art.-Nr.2
6	10.20	7.00	25.00	12.70		0.02	131340-10	131370-10
8	13.50	10.30	25.00	12.70		0.03	131340-13	131370-13
10	17.20	14.00	25.00	12.70		0.04	131340-17	131370-17
15	21.30	18.10	34.00	21.50		0.05	131040-21	131070-21
15	21.30	18.10	50.50	21.50		0.06	131340-21	131370-21
20	26.90	23.70	50.50	21.50		0.07	131340-26	131370-26
25	33.70	29.70	50.50	21.50		0.08	131340-33	131370-33
32	42.40	38.40	64.00	21.50		0.08	131340-42	131370-42
40	48.30	44.30	64.00	21.50		0.09	131340-48	131370-48
50	60.30	56.30	77.50	28.00		0.14	131340-60	131370-60
65	76.10	72.10	91.00	28.00		0.16	131340-76	131370-76
80	88.90	84.30	106.00	28.00		0.20	131340-88	131370-88
100	114.30	109.70	130.00	28.00		0.26	131340-114	131370-114
125	139.70	134.50	155.00	28.00		0.38	131340-139	131370-139
150	168.30	163.10	183.00	28.00		0.54	131340-168	131370-168
200	219.10	213.90	233.50	28.00		0.70	131340-219	131370-219

FERRULE ISO LONG (28,6)



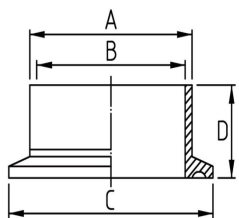
DN	A mm	B mm	C mm	D mm	E mm	kg	AISI 304/1.4301 Art.-Nr.	AISI 316L/1.4404 Art.-Nr.2
6	10.20	7.00	25.00	28.60		0.03	137340-10	137370-10
8	13.50	10.30	25.00	28.60		0.04	137340-13	137370-13
10	17.20	14.00	25.00	28.60		0.05	137340-17	137370-17
15	21.30	18.10	34.00	28.60		0.06	137040-21	137070-21
15	21.30	18.10	50.50	28.60		0.07	137340-21	137370-21
20	26.90	23.70	50.50	28.60		0.08	137340-26	137370-26
25	33.70	29.70	50.50	28.60		0.09	137340-33	137370-33
32	42.40	38.40	64.00	28.60		0.09	137340-42	137370-42
40	48.30	44.30	64.00	28.60		0.10	137340-48	137370-48
50	60.30	56.30	77.50	28.60		0.14	137340-60	137370-60
65	76.10	72.10	91.00	28.60		0.16	137340-76	137370-76
80	88.90	84.30	106.00	28.60		0.20	137340-88	137370-88
100	114.30	109.70	130.00	28.60		0.26	137340-114	137370-114
125	139.70	134.50	155.00	28.60		0.38	137340-139	137370-139
150	168.30	163.10	183.00	28.60		0.54	137340-168	137370-168
200	219.10	213.90	233.50	28.60		0.70	137340-219	137370-219

## FERRULE 3A SHORT (12,7mm)



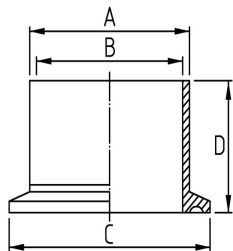
DN	A mm	B mm	C mm	D mm	E mm	kg	AISI 304/1.4301 Art.-Nr.	AISI 316L/1.4404 Art.-Nr.2
1/2"	12.70	9.40	25.00	12.70		0.02	135440-12	135470-12
3/4"	19.05	15.75	25.00	12.70		0.02	135440-19	135470-19
1"	25.40	22.10	50.50	12.70		0.06	135440-25	135470-25
1,5"	38.10	34.80	50.50	12.70		0.06	135440-38	135470-38
2"	50.80	47.50	64.00	12.70		0.08	135440-50	135470-50
2,5"	63.50	60.20	77.50	12.70		0.13	135440-63	135470-63
3"	76.20	72.90	91.00	12.70		0.15	135440-76	135470-76
4"	101.60	97.38	119.00	15.80		0.24	135440-101	135470-101
6"	152.40	146.80	167.00	19.10		0.70	135440-152	135470-152
8"	203.20	197.60	217.70	22.20		0.90	135440-203	135470-203

## FERRULE 3A MEDIUM (21,5mm)



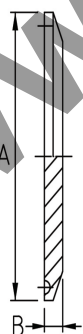
DN	A mm	B mm	C mm	D mm	E mm	kg	AISI 304/1.4301 Art.-Nr.	AISI 316L/1.4404 Art.-Nr.2
1/2"	12.70	9.40	25.00	21.50		0.03	131440-12	131470-12
3/4"	19.05	15.75	25.00	21.50		0.03	131440-19	131470-19
1"	25.40	22.10	50.50	21.50		0.08	131440-25	131470-25
1,5"	38.10	34.80	50.50	21.50		0.08	131440-38	131470-38
2"	50.80	47.50	64.00	21.50		0.10	131440-50	131470-50
2,5"	63.50	60.20	77.50	21.50		0.15	131440-63	131470-63
3"	76.20	72.90	91.00	21.50		0.17	131440-76	131470-76
4"	101.60	97.38	119.00	21.50		0.26	131440-101	131470-101
6"	152.40	146.80	167.00	21.50		0.80	131440-152	131470-152
8"	203.20	197.60	217.70	22.20		1.00	131440-203	131470-203

## FERRULE 3A LONG (28,6mm)



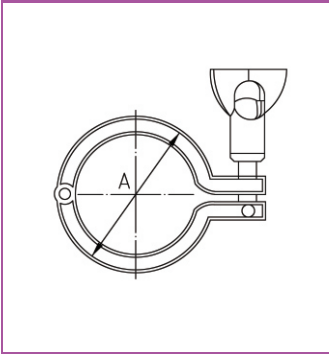
DN	A mm	B mm	C mm	D mm	E mm	kg	AISI 304/1.4301 Art.-Nr.	AISI 316L/1.4404 Art.-Nr.2
1/2"	12.70	9.40	25.00	28.60		0.04	137440-12	137470-12
3/4"	19.05	15.75	25.00	28.60		0.04	137440-19	137470-19
1"	25.40	22.10	50.50	28.60		0.09	137440-25	137470-25
1,5"	38.10	34.80	50.50	28.60		0.09	137440-38	137470-38
2"	50.80	47.50	64.00	28.60		0.12	137440-50	137470-50
2,5"	63.50	60.20	77.50	28.60		0.17	137440-63	137470-63
3"	76.20	72.90	91.00	28.60		0.19	137440-76	137470-76
4"	101.60	97.38	119.00	28.60		0.29	137440-101	137470-101
6"	152.40	146.80	167.00	38.10		0.90	137440-152	137470-152
8"	203.20	197.60	217.70	38.10		1.10	137440-203	137470-203

## CLAMP END CAP



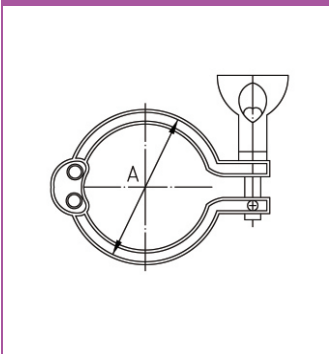
HEAD SIZE	A mm	B mm	DIN mm	SMS mm	ISO mm	kg	AISI 304/1.4301 Art.-Nr.	AISI 316L/1.4404 Art.-Nr.2
25	25.00	6.00	DN 6-8	-	ISO 10,2-17,2	0.02	132040-25	132070-25
34	34.00	6.30	DN 10-20	-	-	0.03	132040-34	132070-34
50.5	50.50	6.30	DN 25-40	SMS25-38	ISO 21.3-33.7	0.08	132040-50	132070-50
64	64.00	6.30	DN 50	SMS51	ISO 42.4-48.3	0.14	132040-64	132070-64
77.5	77.50	6.30	-	SMS63	ISO 60.3	0.22	132040-77	132070-77
91	91.00	6.30	DN 65	SMS76	ISO 76.1	0.32	132040-91	132070-91
106	106.00	6.30	DN 80	-	ISO 88.9	0.49	132040-106	132070-106
119	119.00	7.90	DN 100	SMS101.6	-	0.61	132040-119	132070-119
130	130.00	7.90	-	-	ISO 114.3	0.73	132040-130	132070-130
155	155.00	7.90	DN 125	-	ISO 139.7	1.15	132040-155	132070-155
167	167.00	11.10	-	3A 6"	-	1.65	132040-167	132070-167
183	183.00	11.10	DN 150	-	ISO 168.3	1.86	132040-183	132070-183
217.7	217.70	11.10	-	3A 8"	-	2.70	132040-217	132070-217
233.5	233.50	11.10	DN 200	-	ISO 219.1	3.00	132040-233	132070-233

SINGLE PIN CLAMP



HEAD SIZE	A mm	B mm	DIN mm	SMS mm	ISO mm	kg	AISI 304/1.4301 Art.-Nr.	AISI 316L/1.4404 Art.-Nr.2
25	25.00		DN 6-8	-	ISO 10.2-17.2	0.10	133040-25	
34	34.00		DN 10-20	-	-	0.12	133040-34	
50.5	50.50		DN 25-40	SMS25-38	ISO 21.3-33.7	0.34	133040-50	
64	64.00		DN 50	SMS51	ISO 42.4-48.3	0.37	133040-64	
77.5	77.50		-	SMS63	ISO 60.3	0.43	133040-77	
91	91.00		DN 65	SMS76	ISO 76.1	0.49	133040-91	
106	106.00		DN 80	-	ISO 88.9	0.51	133040-106	
119	119.00		DN 100	SMS101.6	-	0.60	133040-119	
130	130.00		-	-	ISO 114.3	0.80	133040-130	
155	155.00		DN 125	-	ISO 139.7	1.10	133040-155	
167	167.00			3A 6"		1.30	133040-167	
183	183.00		DN 150	-	ISO 168.3	1.50	133040-183	
217.7	217.70			3A 8"		1.70	133040-217	
233.5	233.50		DN 200	-	ISO 219.1	2.00	133040-233	

DOUBLE PIN CLAMP



HEAD SIZE	A mm	B mm	DIN mm	SMS mm	ISO mm	kg	AISI 304/1.4301 Art.-Nr.	AISI 316L/1.4404 Art.-Nr.2
25	25.00		DN 6-8	-	ISO 10.2-17.2	0.10	134040-25	
34	34.00		DN 10-20	-	-	0.12	134040-34	
50.5	50.50		DN 25-40	SMS25-38	ISO 21.3-33.7	0.34	134040-50	
64	64.00		DN 50	SMS51	ISO 42.4-48.3	0.37	134040-64	
77.5	77.50		-	SMS63	ISO 60.3	0.43	134040-77	
91	91.00		DN 65	SMS76	ISO 76.1	0.49	134040-91	
106	106.00		DN 80	-	ISO 88.9	0.51	134040-106	
119	119.00		DN 100	SMS101.6	-	0.60	134040-119	
130	130.00		-	-	ISO 114.3	0.80	134040-130	
155	155.00		DN 125	-	ISO 139.7	1.10	134040-155	
167	167.00			3A 6"		1.30	134040-167	
183	183.00		DN 150	-	ISO 168.3	1.50	134040-183	
217.7	217.70			3A 8"		1.70	134040-217	
233.5	233.50		DN 200	-	ISO 219.1	2.00	134040-233	

www.efitecinox.com