

# Quality at Factory Price!

CATALOGUE  
**2019**

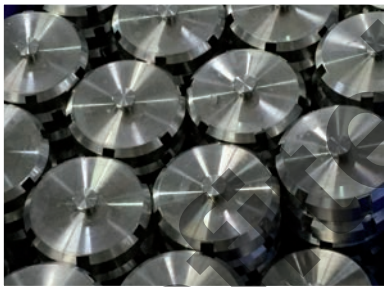
**Efitek**  
INOX

MANUFACTURER OF HIGH QUALITY  
STAINLESS STEEL FITTINGS



2019

Stainless steel industry is our expertise



**Ef**



2019

**Efitek**  
INOX

Quality is our commitment

Summary



**DIN**  
P 1-15

**SMS**  
P 16-23



**3A**  
P 24-25

**CLAMP**  
P 26-29

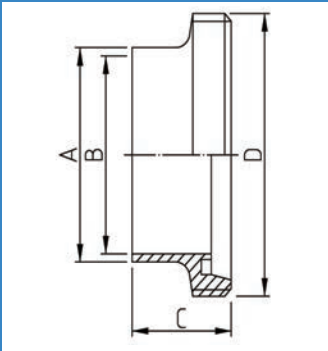
Customer's satisfaction  
is our priority

**MACON**  
P 30-35



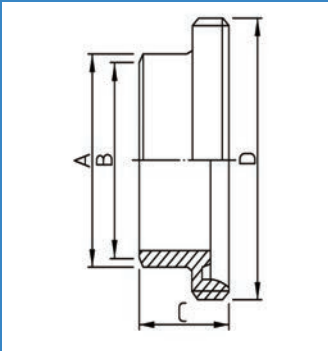
**ISO**  
P 36-49

**WELDING MALE THIN MODEL  
DIN 11851**



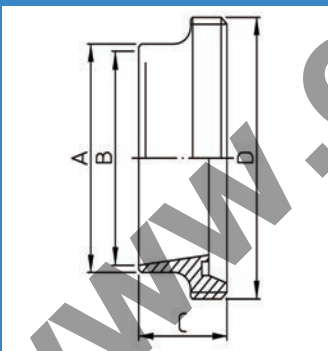
DN	A mm	B mm	C mm	D mm	E mm	kg	AISI 304/1.4301 Art.-Nr.	AISI 316L/1.4404 Art.-Nr.2
10	12.00	9.00	21.00	Rd28x1/8		0.03	101140-12	101170-12
10	13.00	10.00	21.00	Rd28x1/8		0.03	101140-13	101170-13
15	18.00	15.00	21.00	Rd34x1/8		0.04	101140-18	101170-18
15	19.00	16.00	21.00	Rd34x1/8		0.04	101140-19	101170-19
20	22.00	19.00	24.00	Rd44x1/6		0.08	101140-22	101170-22
20	23.00	20.00	24.00	Rd44x1/6		0.08	101140-23	101170-23
25	28.00	25.00	29.00	Rd52x1/6		0.12	101140-28	101170-28
25	29.00	26.00	29.00	Rd52x1/6		0.12	101140-29	101170-29
32	34.00	31.00	32.00	Rd58x1/6		0.14	101140-34	101170-34
32	35.00	32.00	32.00	Rd58x1/6		0.14	101140-35	101170-35
40	40.00	37.00	33.00	Rd65x1/6		0.15	101140-40	101170-40
40	41.00	38.00	33.00	Rd65x1/6		0.15	101140-41	101170-41
50	52.00	49.00	35.00	Rd78x1/6		0.24	101140-52	101170-52
50	53.00	50.00	35.00	Rd78x1/6		0.24	101140-53	101170-53
65	70.00	66.00	40.00	Rd95x1/6		0.37	101140-70	101170-70
80	85.00	81.00	45.00	Rd110x1/4		0.54	101140-85	101170-85
100	104.00	100.00	54.00	Rd130x1/4		0.70	101140-104	101170-104
125	129.00	125.00	46.00	Rd160x1/4		1.13	101140-129	101170-129
150	154.00	150.00	50.00	Rd190x1/4		1.77	101140-154	101170-154

**WELDING MALE THICK MODEL DIN  
11851**



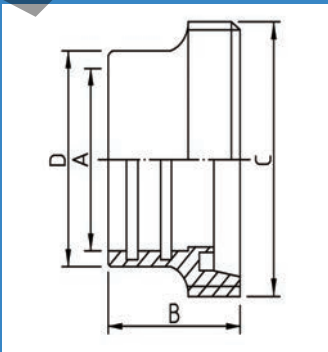
DN	A mm	B mm	C mm	D mm	E mm	kg	AISI 304/1.4301 Art.-Nr.	AISI 316L/1.4404 Art.-Nr.2
10	15.00	10.00	21.00	Rd28x1/8		0.03	102140-10	102170-10
15	21.00	16.00	21.00	Rd34x1/8		0.05	102140-15	102170-15
20	25.00	20.00	24.00	Rd44x1/6		0.10	102140-20	102170-20
25	31.00	26.00	29.00	Rd52x1/6		0.12	102140-25	102170-25
32	37.00	32.00	32.00	Rd58x1/6		0.15	102140-32	102170-32
40	43.00	38.00	33.00	Rd65x1/6		0.20	102140-40	102170-40
50	55.00	50.00	35.00	Rd78x1/6		0.29	102140-50	102170-50
65	72.00	66.00	40.00	Rd95x1/6		0.44	102140-65	102170-65
80	87.00	81.00	45.00	Rd110x1/4		0.58	102140-80	102170-80
100	106.00	100.00	54.00	Rd130x1/4		0.87	102140-100	102170-100
125	132.00	125.00	46.00	Rd160x1/4		1.30	102140-125	102170-125
150	157.00	150.00	50.00	Rd190x1/4		1.90	102140-150	102170-150

**WELDING MALE DIN / ISO**



DN	A mm	B mm	C mm	D mm	E mm	kg	AISI 304/1.4301 Art.-Nr.	AISI 316L/1.4404 Art.-Nr.2
10	17.20	14.20	21.00	Rd28x1/8		0.04	102140-1017	102170-1017
15	21.30	18.10	21.00	Rd34x1/8		0.05	102140-1521	102170-1521
20	26.90	23.70	24.00	Rd44x1/6		0.10	102140-2026	102170-2026
25	33.70	29.70	29.00	Rd52x1/6		0.13	102140-2533	102170-2533
32	42.40	38.40	32.00	Rd58x1/6		0.16	102140-3242	102170-3242
40	48.30	44.30	33.00	Rd65x1/6		0.21	102140-4048	102170-4048
50	60.30	56.30	35.00	Rd78x1/6		0.30	102140-5060	102170-5060
65	76.10	71.50	40.00	Rd95x1/6		0.45	102140-6576	102170-6576
80	88.90	84.30	45.00	Rd110x1/4		0.60	102140-8089	102170-8089
100	114.30	109.10	54.00	Rd130x1/4		0.78	102140-100114	102170-100114

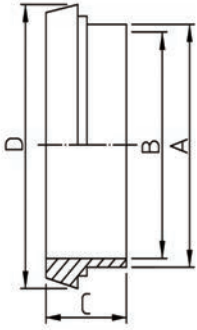
**EXPANDING MALE  
DIN 11851**



DN	A mm	B mm	C mm	D mm	E mm	kg	AISI 304/1.4301 Art.-Nr.	AISI 316L/1.4404 Art.-Nr.2
10	12.20	21.00	Rd28x1/8	18.00		0.03	103140-10	103170-10
15	18.20	21.00	Rd34x1/8	24.00		0.05	103140-15	103170-15
20	22.20	24.00	Rd44x1/6	30.00		0.10	103140-20	103170-20
25	28.20	29.00	Rd52x1/6	35.00		0.12	103140-25	103170-25
32	34.20	32.00	Rd58x1/6	41.00		0.15	103140-32	103170-32
40	40.20	33.00	Rd65x1/6	48.00		0.20	103140-40	103170-40
50	52.20	35.00	Rd78x1/6	61.00		0.29	103140-50	103170-50
65	70.30	40.00	Rd95x1/6	79.00		0.44	103140-65	103170-65
80	85.30	45.00	Rd110x1/4	93.00		0.58	103140-80	103170-80
100	104.30	54.00	Rd130x1/4	114.00		0.87	103140-100	103170-100

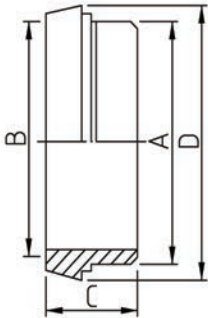


**WELDING LINER THIN MODEL DIN 11851**



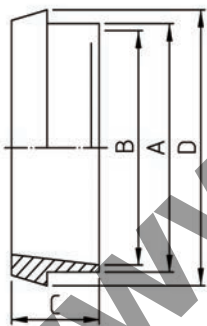
DN	A mm	B mm	C mm	D mm	E mm	kg	AISI 304/1.4301 Art.-Nr.	AISI 316L/1.4404 Art.-Nr.2
10	12.00	9.00	17.00	22.50		0.01	104140-12	104170-12
10	13.00	10.00	17.00	22.50		0.01	104140-13	104170-13
15	18.00	15.00	17.00	28.50		0.02	104140-18	104170-18
15	19.00	16.00	17.00	28.50		0.02	104140-19	104170-19
20	22.00	19.00	18.00	36.50		0.04	104140-22	104170-22
20	23.00	20.00	18.00	36.50		0.04	104140-23	104170-23
25	28.00	25.00	22.00	44.00		0.07	104140-28	104170-28
25	29.00	26.00	22.00	44.00		0.07	104140-29	104170-29
32	34.00	31.00	25.00	50.00		0.12	104140-34	104170-34
32	35.00	32.00	25.00	50.00		0.12	104140-35	104170-35
40	40.00	37.00	26.00	56.00		0.13	104140-40	104170-40
40	41.00	38.00	26.00	56.00		0.13	104140-41	104170-41
50	52.00	49.00	28.00	68.50		0.15	104140-52	104170-52
50	53.00	50.00	28.00	68.50		0.15	104140-53	104170-53
65	70.00	66.00	32.00	86.00		0.31	104140-70	104170-70
80	85.00	81.00	37.00	100.00		0.38	104140-85	104170-85
100	104.00	100.00	44.00	121.00		0.60	104140-104	104170-104
125	129.00	125.00	34.00	150.00		0.76	104140-129	104170-129
150	154.00	150.00	37.00	176.00		1.03	104140-154	104170-154

**WELDING LINER THICK MODEL DIN 11851**



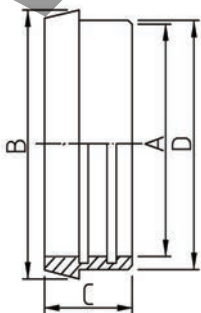
DN	A mm	B mm	C mm	D mm	E mm	kg	AISI 304/1.4301 Art.-Nr.	AISI 316L/1.4404 Art.-Nr.2
10	15.00	10.00	17.00	22.50		0.02	105140-10	105170-10
15	21.00	16.00	17.00	28.50		0.03	105140-15	105170-15
20	25.00	20.00	18.00	36.50		0.05	105140-20	105170-20
25	31.00	26.00	22.00	44.00		0.09	105140-25	105170-25
32	37.00	32.00	25.00	50.00		0.11	105140-32	105170-32
40	43.00	38.00	26.00	56.00		0.14	105140-40	105170-40
50	55.00	50.00	28.00	68.50		0.22	105140-50	105170-50
65	72.00	66.00	32.00	86.00		0.31	105140-65	105170-65
80	87.00	81.00	37.00	100.00		0.40	105140-80	105170-80
100	106.00	100.00	44.00	121.00		0.68	105140-100	105170-100
125	132.00	125.00	34.00	150.00		0.86	105140-125	105170-125
150	157.00	150.00	37.00	176.00		1.13	105140-150	105170-150

**WELDING LINER DIN / ISO**

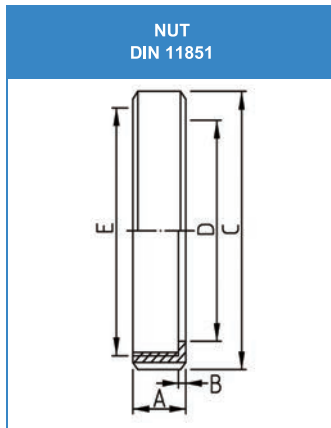


DN	A mm	B mm	C mm	D mm	E mm	kg	AISI 304/1.4301 Art.-Nr.	AISI 316L/1.4404 Art.-Nr.2
10	17.20	14.20	17.00	22.50		0.02	105140-1017	105170-1017
15	21.30	18.10	17.00	28.50		0.03	105140-1521	105170-1521
20	26.90	23.70	18.00	36.50		0.06	105140-2026	105170-2026
25	33.70	29.70	22.00	44.00		0.09	105140-2533	105170-2533
32	42.40	38.40	25.00	50.00		0.11	105140-3242	105170-3242
40	48.30	44.30	26.00	56.00		0.14	105140-4048	105170-4048
50	60.30	56.30	28.00	68.50		0.21	105140-5060	105170-5060
65	76.10	71.50	32.00	86.00		0.32	105140-6576	105170-6576
80	88.90	84.30	37.00	100.00		0.40	105140-8089	105170-8089
100	114.30	109.10	44.00	121.00		0.59	105140-100114	105170-100114

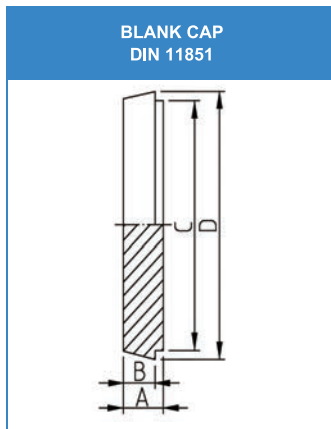
**EXPANDING LINER DIN 11851**



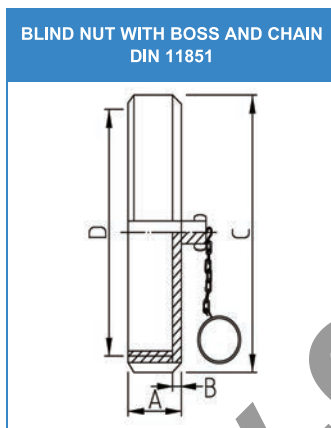
DN	A mm	B mm	C mm	D mm	E mm	kg	AISI 304/1.4301 Art.-Nr.	AISI 316L/1.4404 Art.-Nr.2
10	12.20	22.50	17.00	18.00		0.02	106140-10	106170-10
15	18.20	28.50	17.00	24.00		0.03	106140-15	106170-15
20	22.20	36.50	18.00	30.00		0.05	106140-20	106170-20
25	28.20	44.00	22.00	35.00		0.09	106140-25	106170-25
32	34.20	50.00	25.00	41.00		0.11	106140-32	106170-32
40	40.20	56.00	26.00	48.00		0.14	106140-40	106170-40
50	52.20	68.50	28.00	61.00		0.22	106140-50	106170-50
65	70.30	86.00	32.00	79.00		0.31	106140-65	106170-65
80	85.30	100.00	37.00	93.00		0.40	106140-80	106170-80
100	104.30	121.00	44.00	114.00		0.68	106140-100	106170-100



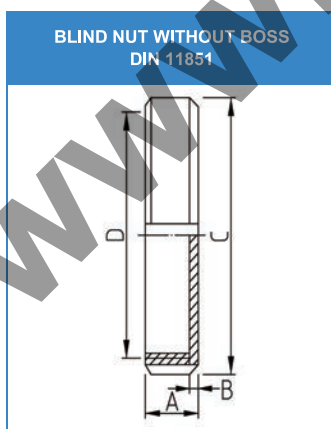
DN	A mm	B mm	C mm	D mm	E mm	kg	AISI 304/1.4301 Art.-Nr.	AISI 316L/1.4404 Art.-Nr.2
10	18.00	3.00	38.00	19.00	Rd28x1/8	0.06	107140-10	
15	18.00	3.00	44.00	25.00	Rd34x1/8	0.08	107140-15	
20	20.00	3.00	54.00	31.00	Rd44x1/6	0.11	107140-20	
25	21.00	3.00	63.00	36.00	Rd52x1/6	0.16	107140-25	
32	21.00	3.00	70.00	42.00	Rd58x1/6	0.19	107140-32	
40	21.00	3.00	78.00	49.00	Rd65x1/6	0.24	107140-40	
50	22.00	3.00	92.00	62.00	Rd78x1/6	0.32	107140-50	
65	25.00	4.00	112.00	80.00	Rd95x1/6	0.53	107140-65	
80	29.00	4.00	127.00	94.00	Rd110x1/4	0.72	107140-80	
100	31.00	5.00	148.00	115.00	Rd130x1/4	0.97	107140-100	
125	35.00	5.00	178.00	138.00	Rd160x1/4	1.38	107140-125	
150	40.00	6.00	210.00	164.00	Rd190x1/4	2.15	107140-150	



DN	A mm	B mm	C mm	D mm	E mm	kg	AISI 304/1.4301 Art.-Nr.	AISI 316L/1.4404 Art.-Nr.2
10	9.00	6.00	18.00	22.50		0.02	108140-10	108170-10
15	9.00	6.00	24.00	28.50		0.04	108140-15	108170-15
20	11.00	8.00	30.00	36.50		0.07	108140-20	108170-20
25	13.00	10.00	35.00	44.00		0.12	108140-25	108170-25
32	13.00	10.00	41.00	50.00		0.16	108140-32	108170-32
40	13.00	10.00	48.00	56.00		0.22	108140-40	108170-40
50	14.00	11.00	61.00	68.50		0.36	108140-50	108170-50
65	16.00	12.00	79.00	86.00		0.66	108140-65	108170-65
80	16.00	12.00	93.00	100.00		0.91	108140-80	108170-80
100	20.00	15.00	114.00	121.00		1.66	108140-100	108170-100
125	22.00	17.00	137.00	150.00		2.84	108140-125	108170-125
150	24.00	18.00	163.00	176.00		4.29	108140-150	108170-150



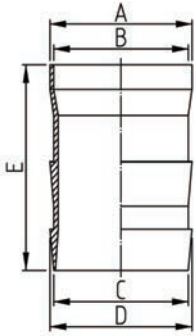
DN	A mm	B mm	C mm	D mm	E mm	kg	AISI 304/1.4301 Art.-Nr.	AISI 316L/1.4404 Art.-Nr.2
10	18.00	3.50	38.00	Rd28x1/8		0.08	109140-10	
15	18.00	3.50	44.00	Rd34x1/8		0.10	109140-15	
20	20.00	3.50	54.00	Rd44x1/6		0.15	109140-20	
25	21.00	3.50	63.00	Rd52x1/6		0.19	109140-25	
32	21.00	3.50	70.00	Rd58x1/6		0.25	109140-32	
40	21.00	3.50	78.00	Rd65x1/6		0.32	109140-40	
50	22.00	3.50	92.00	Rd78x1/6		0.49	109140-50	
65	25.00	4.50	112.00	Rd95x1/6		0.75	109140-65	
80	30.00	4.50	127.00	Rd110x1/4		1.07	109140-80	
100	31.00	5.50	148.00	Rd130x1/4		1.52	109140-100	
125	35.00	5.50	178.00	Rd160x1/4		1.52	109140-125	
150	40.00	6.50	210.00	Rd190x1/4		3.33	109140-150	



DN	A mm	B mm	C mm	D mm	E mm	kg	AISI 304/1.4301 Art.-Nr.	AISI 316L/1.4404 Art.-Nr.2
10	18.00	3.50	38.00	Rd28x1/8		0.08	109040-10	
15	18.00	3.50	44.00	Rd34x1/8		0.10	109040-15	
20	20.00	3.50	54.00	Rd44x1/6		0.15	109040-20	
25	21.00	3.50	63.00	Rd52x1/6		0.19	109040-25	
32	21.00	3.50	70.00	Rd58x1/6		0.25	109040-32	
40	21.00	3.50	78.00	Rd65x1/6		0.32	109040-40	
50	22.00	3.50	92.00	Rd78x1/6		0.49	109040-50	
65	25.00	4.50	112.00	Rd95x1/6		0.75	109040-65	
80	26.00	4.50	127.00	Rd110x1/4		1.07	109040-80	
100	31.00	5.50	148.00	Rd130x1/4		1.52	109040-100	
125	35.00	5.50	178.00	Rd160x1/4		1.52	109040-125	
150	40.00	6.50	210.00	Rd190x1/4		3.33	109040-150	

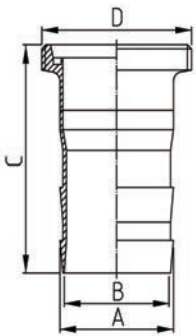


**WELDING HOSE FITTING  
DIN 11854**



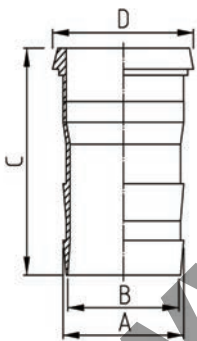
DN	A mm	B mm	C mm	D mm	E mm	kg	AISI 304/1.4301 Art.-Nr.	AISI 316L/1.4404 Art.-Nr.2
10	13.00	10.00	10.00	12.00	43.00	0.02	156140-13	156170-13
15	19.00	16.00	16.00	18.50	44.00	0.03	156140-19	156170-19
20	23.00	20.00	20.00	23.00	47.00	0.05	156140-23	156170-23
25	29.00	26.00	25.00	28.00	48.00	0.08	156140-29	156170-29
32	35.00	32.00	32.00	35.60	51.80	0.10	156140-35	156170-35
40	41.00	38.00	40.00	43.60	62.00	0.16	156140-41	156170-41
50	53.00	50.00	50.00	53.60	75.00	0.24	156140-53	156170-53
65	70.00	66.00	63.00	66.60	93.00	0.36	156140-70	156170-70
80	85.00	81.00	80.00	83.60	100.00	0.50	156140-85	156170-85
100	104.00	100.00	100.00	103.60	107.00	0.66	156140-104	156170-104

**MALE HOSE FITTING  
DIN 11854**



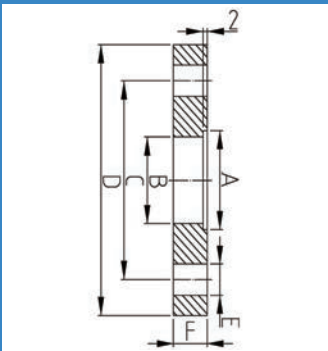
DN	A mm	B mm	C mm	D mm	E mm	kg	AISI 304/1.4301 Art.-Nr.	AISI 316L/1.4404 Art.-Nr.2
10	12.00	10.00	64.00	Rd 28 x 1/8"		0.05	151140-10	151170-10
15	18.50	16.00	65.00	Rd 34 x 1/8"		0.08	151140-15	151170-15
20	23.00	20.00	71.00	Rd 44 x 1/6"		0.17	151140-20	151170-20
25	28.00	25.00	77.00	Rd 52 x 1/6"		0.23	151140-25	151170-25
32	35.60	32.00	83.80	Rd 58 x 1/6"		0.33	151140-32	151170-32
40	43.60	40.00	95.00	Rd 65 x 1/6"		0.52	151140-40	151170-40
50	53.60	50.00	110.00	Rd 78 x 1/6"		0.66	151140-50	151170-50
65	66.60	63.00	133.00	Rd 95 x 1/6"		1.14	151140-65	151170-65
80	83.60	80.00	145.00	Rd 110 x 1/4"		1.50	151140-80	151170-80
100	103.60	100.00	161.00	Rd 130 x 1/4"		2.40	151140-100	151170-100

**LINER HOSE FITTING  
DIN 11854**



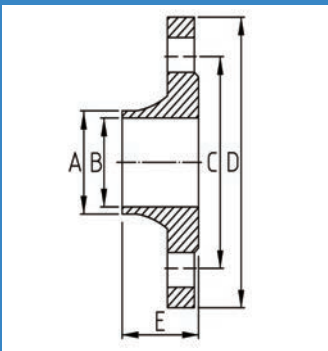
DN	A mm	B mm	C mm	D mm	E mm	kg	AISI 304/1.4301 Art.-Nr.	AISI 316L/1.4404 Art.-Nr.2
10	12.00	10.00	60.00	22.50		0.04	152140-10	152170-10
15	18.50	16.00	61.00	28.50		0.06	152140-15	152170-15
20	23.00	20.00	65.00	36.50		0.13	152140-20	152170-20
25	28.00	25.00	70.00	44.00		0.19	152140-25	152170-25
32	35.60	32.00	76.80	50.00		0.27	152140-32	152170-32
40	43.60	40.00	88.00	56.00		0.42	152140-40	152170-40
50	53.60	50.00	103.00	68.50		0.58	152140-50	152170-50
65	66.60	63.00	125.00	86.00		1.08	152140-65	152170-65
80	83.60	80.00	137.00	100.00		1.32	152140-80	152170-80
100	103.60	100.00	151.00	121.00		2.13	152140-100	152170-100

**FLANGE PLAIN PN 10**



DN	A mm	B mm	C mm	D mm	E-F mm	kg	AISI 304/1.4301 Art.-Nr.	AISI 316L/1.4404 Art.-Nr.2
10	12.2	10.0	60.0	90.0	14/4-14	0.50	201140-12	201170-12
10	13.2	10.0	60.0	90.0	14/4-14	0.50	201140-13	201170-13
15	18.2	16.0	65.0	95.0	14/4-14	0.60	201140-18	201170-18
15	19.2	16.0	65.0	95.0	14/4-14	0.60	201140-19	201170-19
20	22.2	20.0	75.0	105.0	14/4-14	0.85	201140-22	201170-22
20	23.2	20.0	75.0	105.0	14/4-14	0.85	201140-23	201170-23
25	28.2	26.0	85.0	115.0	14/4-14	1.11	201140-28	201170-28
25	29.2	26.0	85.0	115.0	14/4-14	1.11	201140-29	201170-29
32	34.2	32.0	100.0	140.0	18/4-14	1.64	201140-34	201170-34
32	35.2	32.0	100.0	140.0	18/4-14	1.64	201140-35	201170-35
40	40.2	38.0	110.0	150.0	18/4-14	1.80	201140-40	201170-40
40	41.2	38.0	110.0	150.0	18/4-14	1.80	201140-41	201170-41
50	52.2	50.0	125.0	165.0	18/4-14	2.30	201140-52	201170-52
50	53.2	50.0	125.0	165.0	18/4-14	2.30	201140-53	201170-53
65	70.5	66.0	145.0	185.0	18/4-14	2.88	201140-70	201170-70
80	85.5	81.0	160.0	200.0	18/8-16	3.20	201140-85	201170-85
100	104.5	100.0	180.0	220.0	18/8-16	4.00	201140-104	201170-104
125	129.5	125.0	210.0	250.0	18/8-20	5.00	201140-129	201170-129
150	154.5	150.0	240.0	285.0	22/8-20	6.70	201140-154	201170-154
200	205.0	200.0	295.0	340.0	22/8-24	9.00	201140-204	201170-204

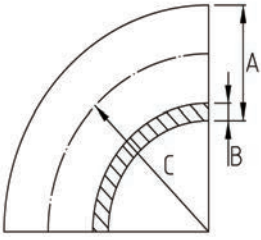
**WELDING NECK FLANGE  
DIN 2633 PN 16**



DN	A mm	B mm	C mm	D mm	E mm	kg	AISI 304/1.4301 Art.-Nr.	AISI 316L/1.4404 Art.-Nr.2
10	15.0	10.0	60.0	90.0	35.0	0.58	202140-10	202170-10
15	21.0	16.0	65.0	95.0	35.0	0.65	202140-15	202170-15
20	25.0	20.0	75.0	105.0	38.0	0.95	202140-20	202170-20
25	31.0	26.0	85.0	115.0	38.0	1.14	202140-25	202170-25
32	37.0	32.0	100.0	140.0	40.0	1.69	202140-32	202170-32
40	43.0	38.0	110.0	150.0	42.0	1.86	202140-40	202170-40
50	55.0	50.0	125.0	165.0	45.0	2.53	202140-50	202170-50
65	72.0	66.0	145.0	185.0	45.0	3.06	202140-65	202170-65
80	87.0	81.0	160.0	200.0	50.0	3.70	202140-80	202170-80
100	106.0	100.0	180.0	220.0	52.0	4.62	202140-100	202170-100
125	133.0	125.0	210.0	250.0	55.0	6.30	202140-125	202170-125
150	159.0	150.0	240.0	285.0	55.0	7.75	202140-150	202170-150

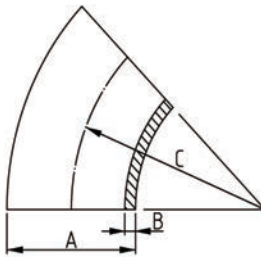


**90° WELDING BEND 1.5 D**  
DIN 11852



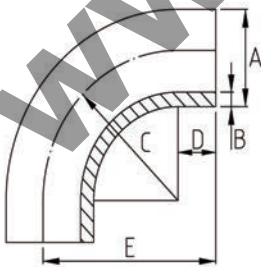
DN	A mm	B mm	C mm	D mm	E mm	kg	AISI 304/1.4301 Art.-Nr.	AISI 316L/1.4404 Art.-Nr.2
10	12.00	1.50	26.00			0.01	301140-12	301170-12
10	13.00	1.50	26.00			0.01	301140-13	301170-13
15	18.00	1.50	35.00			0.02	301140-18	301170-18
15	19.00	1.50	35.00			0.02	301140-19	301170-19
20	22.00	1.50	40.00			0.04	301140-22	301170-22
20	23.00	1.50	40.00			0.04	301140-23	301170-23
25	28.00	1.50	50.00			0.05	301140-28	301170-28
25	29.00	1.50	50.00			0.05	301140-29	301170-29
32	34.00	1.50	55.00			0.08	301140-34	301170-34
32	35.00	1.50	55.00			0.08	301140-35	301170-35
40	40.00	1.50	60.00			0.10	301140-40	301170-40
40	41.00	1.50	60.00			0.10	301140-41	301170-41
50	52.00	1.50	70.00			0.17	301140-52	301170-52
50	53.00	1.50	70.00			0.17	301140-53	301170-53
65	70.00	2.00	80.00			0.39	301140-70	301170-70
80	85.00	2.00	90.00			0.57	301140-85	301170-85
100	104.00	2.00	100.00			0.80	301140-104	301170-104
125	129.00	2.00	187.50			1.90	301140-129	301170-129
150	154.00	2.00	225.00			2.72	301140-154	301170-154
200	204.00	2.00	300.00			4.75	301140-204	301170-204

**45° WELDING BEND 1.5 D**  
DIN 11852



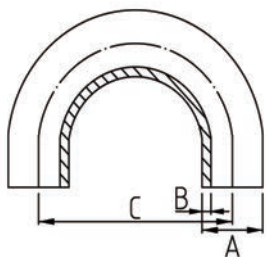
DN	A mm	B mm	C mm	D mm	E mm	kg	AISI 304/1.4301 Art.-Nr.	AISI 316L/1.4404 Art.-Nr.2
10	12.00	1.50	26.00			0.01	311140-12	311170-12
10	13.00	1.50	26.00			0.01	311140-13	311170-13
15	18.00	1.50	35.00			0.02	311140-18	311170-18
15	19.00	1.50	35.00			0.02	311140-19	311170-19
20	22.00	1.50	40.00			0.02	311140-22	311170-22
20	23.00	1.50	40.00			0.02	311140-23	311170-23
25	28.00	1.50	50.00			0.03	311140-28	311170-28
25	29.00	1.50	50.00			0.03	311140-29	311170-29
32	34.00	1.50	55.00			0.04	311140-34	311170-34
32	35.00	1.50	55.00			0.04	311140-35	311170-35
40	40.00	1.50	60.00			0.05	311140-40	311170-40
40	41.00	1.50	60.00			0.05	311140-41	311170-41
50	52.00	1.50	70.00			0.09	311140-52	311170-52
50	53.00	1.50	70.00			0.09	311140-53	311170-53
65	70.00	2.00	80.00			0.19	311140-70	311170-70
80	85.00	2.00	90.00			0.26	311140-85	311170-85
100	104.00	2.00	100.00			0.58	311140-104	311170-104
125	129.00	2.00	187.50			0.99	311140-129	311170-129
150	154.00	2.00	225.00			1.36	311140-154	311170-154
200	204.00	2.00	300.00			2.38	311140-204	311170-204

**90° BEND WITH STRAIGHT ENDS 1.5D**  
DIN 11852



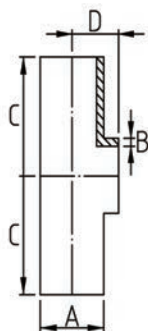
DN	A mm	B mm	C mm	D mm	E mm	kg	AISI 304/1.4301 Art.-Nr.	AISI 316L/1.4404 Art.-Nr.2
25	28.00	1.50	50.00	20.00	70.00	0.11	302140-28	302170-28
25	29.00	1.50	50.00	20.00	70.00	0.11	302140-29	302170-29
32	34.00	1.50	55.00	23.00	78.00	0.16	302140-34	302170-34
32	35.00	1.50	55.00	23.00	78.00	0.16	302140-35	302170-35
40	40.00	1.50	60.00	25.00	85.00	0.20	302140-40	302170-40
40	41.00	1.50	60.00	25.00	85.00	0.20	302140-41	302170-41
50	52.00	1.50	70.00	27.00	97.00	0.33	302140-52	302170-52
50	53.00	1.50	70.00	27.00	97.00	0.33	302140-53	302170-53
65	70.00	2.00	80.00	30.00	110.00	0.63	302140-70	302170-70
80	85.00	2.00	90.00	28.00	118.00	0.83	302140-85	302170-85
100	104.00	2.00	100.00	40.00	140.00	1.20	302140-104	302170-104

180° WELDING BEND  
DIN 11852



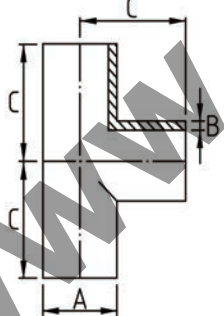
DN	A mm	B mm	C mm	D mm	E mm	kg	AISI 304/1.4301 Art.-Nr.	AISI 316L/1.4404 Art.-Nr.2
25	28.0	1.5	100.0			0.16	321140-28	321170-28
25	29.0	1.5	100.0			0.17	321140-29	321170-29
32	34.0	1.5	110.0			0.22	321140-34	321170-34
32	35.0	1.5	110.0			0.24	321140-35	321170-35
40	40.0	1.5	120.0			0.28	321140-40	321170-40
40	41.0	1.5	120.0			0.30	321140-41	321170-41
50	52.0	1.5	140.0			0.42	321140-52	321170-52
50	53.0	1.5	140.0			0.44	321140-53	321170-53
65	70.0	2.0	160.0			0.89	321140-70	321170-70
80	85.0	2.0	177.5			1.22	321140-85	321170-85
100	104.0	2.0	200.0			1.64	321140-104	321170-104

WELDING SHORT TEE  
DIN11852



DN	A mm	B mm	C mm	D mm	E mm	kg	AISI 304/1.4301 Art.-Nr.	AISI 316L/1.4404 Art.-Nr.2
10	12.00	1.50	26.00	7.00		0.02	331140-12	331170-12
10	13.00	1.50	26.00	7.50		0.02	331140-13	331170-13
15	18.00	1.50	35.00	10.00		0.03	331140-18	331170-18
15	19.00	1.50	35.00	11.00		0.03	331140-19	331170-19
20	22.00	1.50	40.00	12.00		0.05	331140-22	331170-22
20	23.00	1.50	40.00	13.00		0.05	331140-23	331170-23
25	28.00	1.50	50.00	16.00		0.08	331140-28	331170-28
25	29.00	1.50	50.00	16.00		0.08	331140-29	331170-29
32	34.00	1.50	55.00	19.00		0.11	331140-34	331170-34
32	35.00	1.50	55.00	19.50		0.11	331140-35	331170-35
40	40.00	1.50	60.00	22.50		0.15	331140-40	331170-40
40	41.00	1.50	60.00	23.00		0.15	331140-41	331170-41
50	52.00	1.50	70.00	29.50		0.24	331140-52	331170-52
50	53.00	1.50	70.00	30.00		0.24	331140-53	331170-53
65	70.00	2.00	80.00	40.00		0.48	331140-70	331170-70
80	85.00	2.00	90.00	47.50		0.65	331140-85	331170-85
100	104.00	2.00	100.00	58.00		0.91	331140-104	331170-104
125	129.00	2.00	187.50	71.50		2.16	331140-129	331170-129
150	154.00	2.00	225.00	87.00		3.02	331140-154	331170-154
200	204.00	2.00	300.00	111.00		5.55	331140-204	331170-204
250	254.00	2.00	375.00	141.00		8.50	331140-254	331170-254

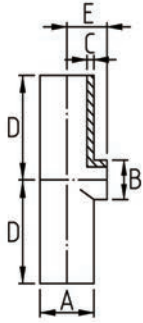
WELDING LONG TEE  
DIN 11852



DN	A mm	B mm	C mm	D mm	E mm	kg	AISI 304/1.4301 Art.-Nr.	AISI 316L/1.4404 Art.-Nr.2
10	12.00	1.50	26.00			0.02	332140-12	332170-12
10	13.00	1.50	26.00			0.02	332140-13	332170-13
15	18.00	1.50	35.00			0.05	332140-18	332170-18
15	19.00	1.50	35.00			0.05	332140-19	332170-19
20	22.00	1.50	40.00			0.09	332140-22	332170-22
20	23.00	1.50	40.00			0.09	332140-23	332170-23
25	28.00	1.50	50.00			0.11	332140-28	332170-28
25	29.00	1.50	50.00			0.11	332140-29	332170-29
32	34.00	1.50	55.00			0.15	332140-34	332170-34
32	35.00	1.50	55.00			0.15	332140-35	332170-35
40	40.00	1.50	60.00			0.21	332140-40	332170-40
40	41.00	1.50	60.00			0.21	332140-41	332170-41
50	52.00	1.50	70.00			0.31	332140-52	332170-52
50	53.00	1.50	70.00			0.31	332140-53	332170-53
65	70.00	2.00	80.00			0.63	332140-70	332170-70
80	85.00	2.00	90.00			0.87	332140-85	332170-85
100	104.00	2.00	100.00			1.06	332140-104	332170-104
125	129.00	2.00	187.50			2.84	332140-129	332170-129
150	154.00	2.00	225.00			3.88	332140-154	332170-154
200	204.00	2.00	300.00			9.95	332140-204	332170-204
250	254.00	2.00	375.00			1.05	332140-254	332170-254



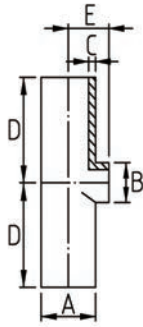
**REDUCING WELDING SHORT TEE  
DIN 11852 (RANGE 1)**



DN	A mm	B mm	C mm	D mm	E mm	kg	AISI 304/1.4301 Art.-Nr.	AISI 316L/1.4404 Art.-Nr.2
15-10	18.00	12.00	1.50	35.00	10.50	0.04	333140-1812	333170-1812
20-10	22.00	12.00	1.50	40.00	12.50	0.06	333140-2212	333170-2212
20-15	22.00	18.00	1.50	40.00	12.50	0.06	333140-2218	333170-2218
25-10	28.00	12.00	1.50	50.00	16.50	0.09	333140-2812	333170-2812
25-15	28.00	18.00	1.50	50.00	16.50	0.09	333140-2818	333170-2818
25-20	28.00	22.00	1.50	50.00	16.50	0.09	333140-2822	333170-2822
32-15	34.00	18.00	1.50	55.00	19.00	0.12	333140-3418	333170-3519
32-20	34.00	22.00	1.50	55.00	19.00	0.12	333140-3422	333170-3422
32-25	34.00	28.00	1.50	55.00	19.00	0.12	333140-3428	333170-3428
40-15	40.00	18.00	1.50	60.00	22.00	0.15	333140-4018	333170-4018
40-20	40.00	22.00	1.50	60.00	22.00	0.15	333140-4022	333170-4022
40-25	40.00	28.00	1.50	60.00	22.00	0.15	333140-4028	333170-4028
40-32	40.00	34.00	1.50	60.00	22.00	0.15	333140-4034	333170-4034
50-15	52.00	18.00	1.50	70.00	29.00	0.24	333140-5218	333170-5218
50-20	52.00	22.00	1.50	70.00	29.00	0.24	333140-5222	333170-5222
50-25	52.00	28.00	1.50	70.00	29.00	0.24	333140-5228	333170-5228
50-32	52.00	34.00	1.50	70.00	29.00	0.24	333140-5234	333170-5234
50-40	52.00	40.00	1.50	70.00	29.00	0.24	333140-5240	333170-5240
65-25	70.00	28.00	2.00	80.00	39.00	0.47	333140-7028	333170-7028
65-32	70.00	34.00	2.00	80.00	39.00	0.47	333140-7034	333170-7034
65-40	70.00	40.00	2.00	80.00	39.00	0.46	333140-7040	333170-7040
65-50	70.00	52.00	2.00	80.00	39.00	0.46	333140-7052	333170-7052
80-25	85.00	28.00	2.00	90.00	46.50	0.70	333140-8528	333170-8528
80-32	85.00	34.00	2.00	90.00	46.50	0.70	333140-8534	333170-8534
80-40	85.00	40.00	2.00	90.00	46.50	0.69	333140-8540	333170-8540
80-50	85.00	52.00	2.00	90.00	46.50	0.68	333140-8552	333170-8552
80-65	85.00	70.00	2.00	90.00	46.50	0.68	333140-8570	333170-8570
100-25	104.00	28.00	2.00	100.00	56.00	1.00	333140-10428	333170-10428
100-32	104.00	34.00	2.00	100.00	56.00	0.99	333140-10434	333170-10434
100-40	104.00	40.00	2.00	100.00	56.00	0.98	333140-10440	333170-10440
100-50	104.00	52.00	2.00	100.00	56.00	0.98	333140-10452	333170-10452
100-65	104.00	70.00	2.00	100.00	56.00	0.97	333140-10470	333170-10470
100-80	104.00	85.00	2.00	100.00	56.00	0.97	333140-10485	333170-10485
125-25	129.00	28.00	2.00	187.50	68.50	2.00	333140-12928	333170-12928
125-32	129.00	34.00	2.00	187.50	68.50	1.98	333140-12934	333170-12934
125-40	129.00	40.00	2.00	187.50	68.50	1.96	333140-12940	333170-12940
125-50	129.00	52.00	2.00	187.50	68.50	1.94	333140-12952	333170-12952
125-65	129.00	70.00	2.00	187.50	68.50	1.97	333140-12970	333170-12970
125-80	129.00	85.00	2.00	187.50	68.50	1.95	333140-12985	333170-12985
125-100	129.00	104.00	2.00	187.50	68.50	1.93	333140-129104	333170-129104
150-40	154.00	40.00	2.00	225.00	81.00	2.95	333140-15440	333170-15440
150-50	154.00	52.00	2.00	225.00	81.00	2.93	333140-15452	333170-15452
150-65	154.00	70.00	2.00	225.00	81.00	2.89	333140-15470	333170-15470
150-80	154.00	85.00	2.00	225.00	81.00	2.85	333140-15485	333170-15485
150-100	154.00	104.00	2.00	225.00	81.00	2.82	333140-154104	333170-154104
150-125	154.00	129.00	2.00	225.00	81.00	2.80	333140-154129	333170-154129
200-125	204.00	129.00	2.00	300.00	110.00	5.68	333140-204129	333170-204129
200-150	204.00	154.00	2.00	300.00	110.00	5.40	333140-204154	333170-204154
250-150	254.00	154.00	2.00	375.00	141.00	8.80	333140-254154	333170-254154
250-200	254.00	204.00	2.00	375.00	141.00	8.82	333140-254204	333170-254204

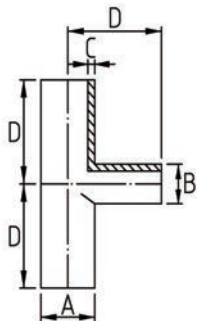
WWW.EFITEK.INOX

**REDUCING WELDING SHORT TEE  
DIN 11852 (RANGE 2)**



DN	A mm	B mm	C mm	D mm	E mm	kg	AISI 304/1.4301 Art.-Nr.	AISI 316L/1.4404 Art.-Nr.2
15-10	19.00	13.00	1.50	35.00	11.00	0.04	333140-1913	333170-1913
20-10	23.00	13.00	1.50	40.00	13.00	0.06	333140-2313	333170-2313
20-15	23.00	19.00	1.50	40.00	13.00	0.06	333140-2319	333170-2319
25-10	29.00	13.00	1.50	50.00	17.00	0.09	333140-2913	333170-2913
25-15	29.00	19.00	1.50	50.00	17.00	0.09	333140-2919	333170-2919
25-20	29.00	23.00	1.50	50.00	17.00	0.09	333140-2923	333170-2923
32-15	35.00	19.00	1.50	55.00	19.50	0.12	333140-3519	333170-3422
32-20	35.00	23.00	1.50	55.00	19.50	0.12	333140-3523	333170-3523
32-25	35.00	29.00	1.50	55.00	19.50	0.12	333140-3529	333170-3529
40-15	41.00	19.00	1.50	60.00	22.50	0.15	333140-4119	333170-4119
40-20	41.00	23.00	1.50	60.00	22.50	0.15	333140-4123	333170-4123
40-25	41.00	29.00	1.50	60.00	22.50	0.15	333140-4129	333170-4129
40-32	41.00	35.00	1.50	60.00	22.50	0.15	333140-4135	333170-4135
50-15	53.00	19.00	1.50	70.00	29.50	0.24	333140-5319	333170-5319
50-20	53.00	23.00	1.50	70.00	29.50	0.24	333140-5323	333170-5323
50-25	53.00	29.00	1.50	70.00	29.50	0.24	333140-5329	333170-5329
50-32	53.00	35.00	1.50	70.00	29.50	0.24	333140-5335	333170-5335
50-40	53.00	41.00	1.50	70.00	29.50	0.24	333140-5341	333170-5341
65-25	70.00	29.00	2.00	80.00	39.00	0.47	333140-7029	333170-7029
65-32	70.00	35.00	2.00	80.00	39.00	0.47	333140-7035	333170-7035
65-40	70.00	41.00	2.00	80.00	39.00	0.46	333140-7041	333170-7041
65-50	70.00	53.00	2.00	80.00	39.00	0.46	333140-7053	333170-7053
80-25	85.00	29.00	2.00	90.00	46.50	0.70	333140-8529	333170-8529
80-32	85.00	35.00	2.00	90.00	46.50	0.70	333140-8535	333170-8535
80-40	85.00	41.00	2.00	90.00	46.50	0.69	333140-8541	333170-8541
80-50	85.00	53.00	2.00	90.00	46.50	0.68	333140-8553	333170-8553
80-65	85.00	70.00	2.00	90.00	46.50	0.68	333140-8570	333170-8570
100-25	104.00	29.00	2.00	100.00	56.00	1.00	333140-10429	333170-10429
100-32	104.00	35.00	2.00	100.00	56.00	0.99	333140-10435	333170-10435
100-40	104.00	41.00	2.00	100.00	56.00	0.98	333140-10441	333170-10441
100-50	104.00	53.00	2.00	100.00	56.00	0.98	333140-10453	333170-10453
100-65	104.00	70.00	2.00	100.00	56.00	0.97	333140-10470	333170-10470
100-80	104.00	85.00	2.00	100.00	56.00	0.97	333140-10485	333170-10485
125-25	129.00	29.00	2.00	187.50	68.50	2.00	333140-12929	333170-12929
125-32	129.00	35.00	2.00	187.50	68.50	1.98	333140-12935	333170-12935
125-40	129.00	41.00	2.00	187.50	68.50	1.96	333140-12941	333170-12941
125-50	129.00	53.00	2.00	187.50	68.50	1.94	333140-12953	333170-12953
125-65	129.00	70.00	2.00	187.50	68.50	1.97	333140-12970	333170-12970
125-80	129.00	85.00	2.00	187.50	68.50	1.95	333140-12985	333170-12985
125-100	129.00	104.00	2.00	187.50	68.50	1.93	333140-129104	333170-129104
150-40	154.00	41.00	2.00	225.00	81.00	2.95	333140-15441	333170-15441
150-50	154.00	53.00	2.00	225.00	81.00	2.93	333140-15453	333170-15453
150-65	154.00	70.00	2.00	225.00	81.00	2.89	333140-15470	333170-15470
150-80	154.00	85.00	2.00	225.00	81.00	2.85	333140-15485	333170-15485
150-100	154.00	104.00	2.00	225.00	81.00	2.82	333140-154104	333170-154104
150-125	154.00	129.00	2.00	225.00	81.00	2.80	333140-154129	333170-154129
200-125	204.00	129.00	2.00	300.00	110.00	5.68	333140-204129	333170-204129
200-150	204.00	154.00	2.00	300.00	110.00	5.40	333140-204154	333170-204154
250-150	254.00	154.00	2.00	375.00	141.00	8.80	333140-254154	333170-254154
250-200	254.00	204.00	2.00	375.00	141.00	8.82	333140-254204	333170-254204

**REDUCING WELDING LONG TEE  
DIN 11852 (RANGE 1)**

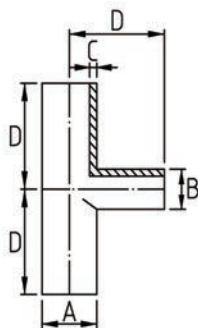


DN	A mm	B mm	C mm	D mm	E mm	kg	AISI 304/1.4301 Art.-Nr.	AISI 316L/1.4404 Art.-Nr.2
15-10	18.00	12.00	1.50	35.00		0.05	335140-1812	335170-1812
20-10	22.00	12.00	1.50	40.00		0.07	335140-2212	335170-2212
20-15	22.00	18.00	1.50	40.00		0.07	335140-2218	335170-2218
25-10	28.00	12.00	1.50	50.00		0.11	335140-2812	335170-2812
25-15	28.00	18.00	1.50	50.00		0.11	335140-2818	335170-2818
25-20	28.00	22.00	1.50	50.00		0.11	335140-2822	335170-2822
32-15	34.00	18.00	1.50	55.00		0.14	335140-3418	335170-3519
32-20	34.00	22.00	1.50	55.00		0.14	335140-3422	335170-3422
32-25	34.00	28.00	1.50	55.00		0.14	335140-3428	335170-3428
40-15	40.00	18.00	1.50	60.00		0.18	335140-4018	335170-4018
40-20	40.00	22.00	1.50	60.00		0.18	335140-4022	335170-4022
40-25	40.00	28.00	1.50	60.00		0.18	335140-4028	335170-4028
40-32	40.00	34.00	1.50	60.00		0.18	335140-4034	335170-4034
50-15	52.00	18.00	1.50	70.00		0.29	335140-5218	335170-5218
50-20	52.00	22.00	1.50	70.00		0.29	335140-5222	335170-5222
50-25	52.00	28.00	1.50	70.00		0.29	335140-5228	335170-5228
50-32	52.00	34.00	1.50	70.00		0.29	335140-5234	335170-5234
50-40	52.00	40.00	1.50	70.00		0.29	335140-5240	335170-5240
65-25	70.00	28.00	2.00	80.00		0.56	335140-7028	335170-7028
65-32	70.00	34.00	2.00	80.00		0.56	335140-7034	335170-7034
65-40	70.00	40.00	2.00	80.00		0.55	335140-7040	335170-7040
65-50	70.00	52.00	2.00	80.00		0.55	335140-7052	335170-7052
80-25	85.00	28.00	2.00	90.00		0.84	335140-8528	335170-8528
80-32	85.00	34.00	2.00	90.00		0.84	335140-8534	335170-8534
80-40	85.00	40.00	2.00	90.00		0.83	335140-8540	335170-8540
80-50	85.00	52.00	2.00	90.00		0.82	335140-8552	335170-8552
80-65	85.00	70.00	2.00	90.00		0.82	335140-8570	335170-8570
100-25	104.00	28.00	2.00	100.00		1.20	335140-10428	335170-10428
100-32	104.00	34.00	2.00	100.00		1.19	335140-10434	335170-10434
100-40	104.00	40.00	2.00	100.00		1.18	335140-10440	335170-10440
100-50	104.00	52.00	2.00	100.00		1.18	335140-10452	335170-10452
100-65	104.00	70.00	2.00	100.00		1.16	335140-10470	335170-10470
100-80	104.00	85.00	2.00	100.00		1.16	335140-10485	335170-10485
125-25	129.00	28.00	2.00	187.50		2.40	335140-12928	335170-12928
125-32	129.00	34.00	2.00	187.50		2.38	335140-12934	335170-12934
125-40	129.00	40.00	2.00	187.50		2.35	335140-12940	335170-12940
125-50	129.00	52.00	2.00	187.50		2.33	335140-12952	335170-12952
125-65	129.00	70.00	2.00	187.50		2.36	335140-12970	335170-12970
125-80	129.00	85.00	2.00	187.50		2.34	335140-12985	335170-12985
125-100	129.00	104.00	2.00	187.50		2.32	335140-129104	335170-129104
150-40	154.00	40.00	2.00	225.00		3.54	335140-15440	335170-15440
150-50	154.00	52.00	2.00	225.00		3.52	335140-15452	335170-15452
150-65	154.00	70.00	2.00	225.00		3.47	335140-15470	335170-15470
150-80	154.00	85.00	2.00	225.00		3.42	335140-15485	335170-15485
150-100	154.00	104.00	2.00	225.00		3.38	335140-154104	335170-154104
150-125	154.00	129.00	2.00	225.00		3.36	335140-154129	335170-154129
200-125	204.00	129.00	2.00	300.00		6.82	335140-204129	335170-204129
200-150	204.00	154.00	2.00	300.00		6.48	335140-204154	335170-204154
250-150	254.00	154.00	2.00	375.00		10.56	335140-254154	335170-254154
250-200	254.00	204.00	2.00	375.00		10.58	335140-254204	335170-254204

WWW.Efitekinox.com

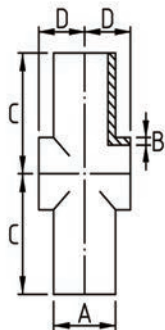


**REDUCING WELDING LONG TEE  
DIN 11852 (RANGE 2)**



DN	A mm	B mm	C mm	D mm	E mm	kg	AISI 304/1.4301 Art.-Nr.	AISI 316L/1.4404 Art.-Nr.2
15-10	19.00	13.00	1.50	35.00		0.06	335140-1913	335170-1913
20-10	23.00	13.00	1.50	40.00		0.08	335140-2313	335170-2313
20-15	23.00	19.00	1.50	40.00		0.08	335140-2319	335170-2319
25-10	29.00	13.00	1.50	50.00		0.13	335140-2913	335170-2913
25-15	29.00	19.00	1.50	50.00		0.13	335140-2919	335170-2919
25-20	29.00	23.00	1.50	50.00		0.13	335140-2923	335170-2923
32-15	35.00	19.00	1.50	55.00		0.17	335140-3519	335170-3422
32-20	35.00	23.00	1.50	55.00		0.17	335140-3523	335170-3523
32-25	35.00	29.00	1.50	55.00		0.17	335140-3529	335170-3529
40-15	41.00	19.00	1.50	60.00		0.22	335140-4119	335170-4119
40-20	41.00	23.00	1.50	60.00		0.22	335140-4123	335170-4123
40-25	41.00	29.00	1.50	60.00		0.22	335140-4129	335170-4129
40-32	41.00	35.00	1.50	60.00		0.22	335140-4135	335170-4135
50-15	53.00	19.00	1.50	70.00		0.35	335140-5319	335170-5319
50-20	53.00	23.00	1.50	70.00		0.35	335140-5323	335170-5323
50-25	53.00	29.00	1.50	70.00		0.35	335140-5329	335170-5329
50-32	53.00	35.00	1.50	70.00		0.35	335140-5335	335170-5335
50-40	53.00	41.00	1.50	70.00		0.35	335140-5341	335170-5341
65-25	70.00	29.00	2.00	80.00		0.67	335140-7029	335170-7029
65-32	70.00	35.00	2.00	80.00		0.67	335140-7035	335170-7035
65-40	70.00	41.00	2.00	80.00		0.66	335140-7041	335170-7041
65-50	70.00	53.00	2.00	80.00		0.66	335140-7053	335170-7053
80-25	85.00	29.00	2.00	90.00		1.01	335140-8529	335170-8529
80-32	85.00	35.00	2.00	90.00		1.01	335140-8535	335170-8535
80-40	85.00	41.00	2.00	90.00		1.00	335140-8541	335170-8541
80-50	85.00	53.00	2.00	90.00		0.98	335140-8553	335170-8553
80-65	85.00	70.00	2.00	90.00		0.98	335140-8570	335170-8570
100-25	104.00	29.00	2.00	100.00		1.44	335140-10429	335170-10429
100-32	104.00	35.00	2.00	100.00		1.43	335140-10435	335170-10435
100-40	104.00	41.00	2.00	100.00		1.42	335140-10441	335170-10441
100-50	104.00	53.00	2.00	100.00		1.42	335140-10453	335170-10453
100-65	104.00	70.00	2.00	100.00		1.39	335140-10470	335170-10470
100-80	104.00	85.00	2.00	100.00		1.39	335140-10485	335170-10485
125-25	129.00	29.00	2.00	187.50		2.88	335140-12929	335170-12929
125-32	129.00	35.00	2.00	187.50		2.86	335140-12935	335170-12935
125-40	129.00	41.00	2.00	187.50		2.82	335140-12941	335170-12941
125-50	129.00	53.00	2.00	187.50		2.80	335140-12953	335170-12953
125-65	129.00	70.00	2.00	187.50		2.83	335140-12970	335170-12970
125-80	129.00	85.00	2.00	187.50		2.81	335140-12985	335170-12985
125-100	129.00	104.00	2.00	187.50		2.78	335140-129104	335170-129104
150-40	154.00	41.00	2.00	225.00		4.25	335140-15441	335170-15441
150-50	154.00	53.00	2.00	225.00		4.22	335140-15453	335170-15453
150-65	154.00	70.00	2.00	225.00		4.16	335140-15470	335170-15470
150-80	154.00	85.00	2.00	225.00		4.10	335140-15485	335170-15485
150-100	154.00	104.00	2.00	225.00		4.06	335140-154104	335170-154104
150-125	154.00	129.00	2.00	225.00		4.03	335140-154129	335170-154129
200-125	204.00	129.00	2.00	300.00		8.18	335140-204129	335170-204129
200-150	204.00	154.00	2.00	300.00		7.78	335140-204154	335170-204154
250-150	254.00	154.00	2.00	375.00		12.67	335140-254154	335170-254154
250-200	254.00	204.00	2.00	375.00		12.70	335140-254204	335170-254204

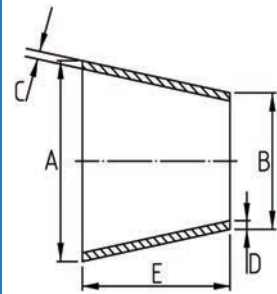
WELDING CROSS  
DIN 11852



DN	A mm	B mm	C mm	D mm	E mm	kg	AISI 304/1.4301 Art.-Nr.	AISI 316L/1.4404 Art.-Nr.2
15	18.00	1.50	35.00	10.00		0.06	334140-18	334170-18
15	19.00	1.50	35.00	11.00		0.06	334140-19	334170-19
20	22.00	1.50	40.00	12.00		0.07	334140-22	334170-22
20	23.00	1.50	40.00	13.00		0.07	334140-23	334170-23
25	28.00	1.50	50.00	15.50		0.09	334140-28	334170-28
25	29.00	1.50	50.00	16.50		0.09	334140-29	334170-29
32	34.00	1.50	55.00	18.50		0.13	334140-34	334170-34
32	35.00	1.50	55.00	19.00		0.13	334140-35	334170-35
40	40.00	1.50	60.00	21.50		0.15	334140-40	334170-40
40	41.00	1.50	60.00	22.50		0.15	334140-41	334170-41
50	52.00	1.50	70.00	28.00		0.24	334140-52	334170-52
50	53.00	1.50	70.00	29.50		0.24	334140-53	334170-53
65	70.00	2.00	80.00	40.00		0.49	334140-70	334170-70
80	85.00	2.00	90.00	45.50		0.64	334140-85	334170-85
100	104.00	2.00	100.00	58.00		0.91	334140-104	334170-104
125	129.00	2.00	187.50	71.50		1.97	334140-129	334170-129
150	154.00	2.00	225.00	87.00		2.89	334140-154	334170-154

www.efitek-inox.com

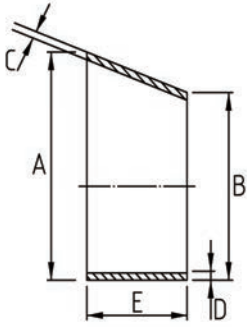
CONCENTRIC REDUCER  
DIN 11852



DN	A mm	B mm	C mm	D mm	E mm	kg	AISI 304/1.4301 Art.-Nr.	AISI 316L/1.4404 Art.-Nr.2
15-10	18.00	12.00	1.50	1.50	11.00	0.01	341140-1812	341170-1812
15-10	19.00	13.00	1.50	1.50	11.00	0.01	341140-1913	341170-1913
20-10	22.00	12.00	1.50	1.50	18.00	0.02	341140-2212	341170-2212
20-10	23.00	13.00	1.50	1.50	18.00	0.02	341140-2313	341170-2313
20-15	22.00	18.00	1.50	1.50	7.00	0.01	341140-2218	341170-2218
20-15	23.00	19.00	1.50	1.50	7.00	0.01	341140-2319	341170-2319
25-10	28.00	12.00	1.50	1.50	28.00	0.02	341140-2812	341170-2812
25-10	29.00	13.00	1.50	1.50	28.00	0.02	341140-2913	341170-2913
25-15	28.00	18.00	1.50	1.50	18.00	0.02	341140-2818	341170-2818
25-15	29.00	19.00	1.50	1.50	18.00	0.02	341140-2919	341170-2919
25-20	28.00	22.00	1.50	1.50	11.00	0.01	341140-2822	341170-2822
25-20	29.00	23.00	1.50	1.50	11.00	0.01	341140-2923	341170-2923
32-15	34.00	18.00	1.50	1.50	28.00	0.03	341140-3418	341170-3418
32-15	35.00	19.00	1.50	1.50	28.00	0.03	341140-3519	341170-3519
32-20	34.00	22.00	1.50	1.50	22.00	0.02	341140-3422	341170-3422
32-20	35.00	23.00	1.50	1.50	22.00	0.02	341140-3523	341170-3523
32-25	34.00	28.00	1.50	1.50	11.00	0.02	341140-3428	341170-3428
32-25	35.00	29.00	1.50	1.50	11.00	0.02	341140-3529	341170-3529
40-18	40.00	18.00	1.50	1.50	39.00	0.05	341140-4018	341170-4018
40-19	41.00	19.00	1.50	1.50	39.00	0.05	341140-4119	341170-4119
40-20	40.00	22.00	1.50	1.50	33.00	0.04	341140-4022	341170-4022
40-20	41.00	23.00	1.50	1.50	33.00	0.04	341140-4123	341170-4123
40-25	40.00	28.00	1.50	1.50	22.00	0.03	341140-4028	341170-4028
40-25	41.00	29.00	1.50	1.50	22.00	0.03	341140-4129	341170-4129
40-32	40.00	34.00	1.50	1.50	11.00	0.04	341140-4034	341170-4034
40-32	41.00	35.00	1.50	1.50	11.00	0.04	341140-4135	341170-4135
50-20	52.00	22.00	1.50	1.50	50.00	0.09	341140-5222	341170-5222
50-20	53.00	23.00	1.50	1.50	50.00	0.09	341140-5323	341170-5323
50-25	52.00	28.00	1.50	1.50	44.00	0.08	341140-5228	341170-5228
50-25	53.00	29.00	1.50	1.50	44.00	0.08	341140-5329	341170-5329
50-32	52.00	34.00	1.50	1.50	33.00	0.08	341140-5234	341170-5234
50-32	53.00	35.00	1.50	1.50	33.00	0.08	341140-5335	341170-5335
50-40	52.00	40.00	1.50	1.50	22.00	0.09	341140-5240	341170-5240
50-40	53.00	41.00	1.50	1.50	22.00	0.09	341140-5341	341170-5341
65-32	70.00	34.00	2.00	1.50	62.00	0.12	341140-7034	341170-7034
65-32	70.00	35.00	2.00	1.50	62.00	0.12	341140-7035	341170-7035
65-40	70.00	40.00	2.00	1.50	51.00	0.11	341140-7040	341170-7040
65-40	70.00	41.00	2.00	1.50	51.00	0.11	341140-7041	341170-7041
65-50	70.00	52.00	2.00	1.50	29.00	0.09	341140-7052	341170-7052
65-50	70.00	53.00	2.00	1.50	29.00	0.09	341140-7053	341170-7053
80-40	85.00	40.00	2.00	1.50	78.00	0.16	341140-8540	341170-8540
80-40	85.00	41.00	2.00	1.50	78.00	0.16	341140-8541	341170-8541
80-50	85.00	52.00	2.00	1.50	56.00	0.12	341140-8552	341170-8552
80-50	85.00	53.00	2.00	1.50	56.00	0.12	341140-8553	341170-8553
80-65	85.00	70.00	2.00	2.00	27.00	0.11	341140-8570	341170-8570
100-50	104.00	52.00	2.00	1.50	90.00	0.29	341140-10452	341170-10452
100-50	104.00	53.00	2.00	1.50	90.00	0.29	341140-10453	341170-10453
100-65	104.00	70.00	2.00	2.00	61.00	0.28	341140-10470	341170-10470
100-80	104.00	85.00	2.00	2.00	34.00	0.17	341140-10485	341170-10485
125-65	129.00	70.00	2.00	2.00	106.00	0.44	341140-12970	341170-12970
125-80	129.00	85.00	2.00	2.00	79.00	0.41	341140-12985	341170-12985
125-100	129.00	104.00	2.00	2.00	45.00	0.55	341140-129104	341170-129104
150-80	154.00	85.00	2.00	2.00	124.00	0.50	341140-15485	341170-15485
150-100	154.00	104.00	2.00	2.00	90.00	0.45	341140-154104	341170-154104
150-125	154.00	129.00	2.00	2.00	45.00	0.40	341140-154129	341170-154129
200-150	204.00	154.00	2.00	2.00	90.00	0.79	341140-204154	341170-204154



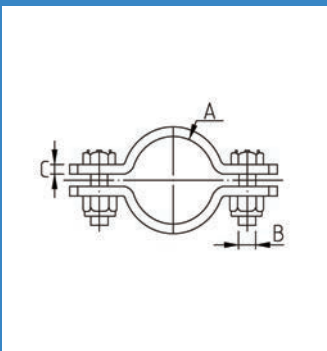
**EXCENTRIC REDUCER  
DIN 11852**



DN	A mm	B mm	C mm	D mm	E mm	kg	AISI 304/1.4301 Art.-Nr.	AISI 316L/1.4404 Art.-Nr.2
15-10	18.00	12.00	1.50	1.50	16.50	0.01	343140-1812	343170-1812
15-10	19.00	13.00	1.50	1.50	16.50	0.01	343140-1913	343170-1913
20-10	22.00	12.00	1.50	1.50	27.50	0.02	343140-2212	343170-2212
20-10	23.00	13.00	1.50	1.50	27.50	0.02	343140-2313	343170-2313
20-15	22.00	18.00	1.50	1.50	11.00	0.01	343140-2218	343170-2218
20-15	23.00	19.00	1.50	1.50	11.00	0.01	343140-2319	343170-2319
25-10	28.00	12.00	1.50	1.50	44.00	0.02	343140-2812	343170-2812
25-10	29.00	13.00	1.50	1.50	44.00	0.02	343140-2913	343170-2913
25-15	28.00	18.00	1.50	1.50	27.50	0.02	343140-2818	343170-2818
25-15	29.00	19.00	1.50	1.50	27.50	0.02	343140-2919	343170-2919
25-20	28.00	22.00	1.50	1.50	16.50	0.03	343140-2822	343170-2822
25-20	29.00	23.00	1.50	1.50	16.50	0.03	343140-2923	343170-2923
32-15	34.00	18.00	1.50	1.50	44.00	0.03	343140-3438	343170-3438
32-15	35.00	19.00	1.50	1.50	44.00	0.03	343140-3519	343170-3519
32-20	34.00	22.00	1.50	1.50	33.00	0.03	343140-3422	343170-3422
32-20	35.00	23.00	1.50	1.50	33.00	0.03	343140-3523	343170-3523
32-25	34.00	28.00	1.50	1.50	16.50	0.04	343140-3428	343170-3428
32-25	35.00	29.00	1.50	1.50	16.50	0.04	343140-3529	343170-3529
40-15	40.00	18.00	1.50	1.50	60.50	0.05	343140-4018	343170-4018
40-15	41.00	19.00	1.50	1.50	60.50	0.05	343140-4119	343170-4119
40-20	40.00	22.00	1.50	1.50	49.50	0.04	343140-4022	343170-4022
40-20	41.00	23.00	1.50	1.50	49.50	0.04	343140-4123	343170-4123
40-25	40.00	28.00	1.50	1.50	33.00	0.05	343140-4028	343170-4028
40-25	41.00	29.00	1.50	1.50	33.00	0.05	343140-4129	343170-4129
40-32	40.00	34.00	1.50	1.50	16.50	0.07	343140-4034	343170-4034
40-32	41.00	35.00	1.50	1.50	16.50	0.07	343140-4135	343170-4135
50-25	52.00	28.00	1.50	1.50	66.00	0.08	343140-5228	343170-5228
50-25	53.00	29.00	1.50	1.50	66.00	0.08	343140-5329	343170-5329
50-32	52.00	34.00	1.50	1.50	49.50	0.11	343140-5234	343170-5234
50-32	53.00	35.00	1.50	1.50	49.50	0.11	343140-5335	343170-5335
50-40	52.00	40.00	1.50	1.50	33.00	0.07	343140-5240	343170-5240
50-40	53.00	41.00	1.50	1.50	33.00	0.07	343140-5343	343170-5343
65-40	70.00	40.00	2.00	1.50	77.00	0.17	343140-7040	343170-7040
65-40	70.00	41.00	2.00	1.50	77.00	0.17	343140-7041	343170-7041
65-50	70.00	52.00	2.00	1.50	44.00	0.11	343140-7052	343170-7052
65-50	70.00	53.00	2.00	1.50	44.00	0.11	343140-7053	343170-7053
80-50	85.00	52.00	2.00	1.50	85.00	0.21	343140-8552	343170-8552
80-50	85.00	53.00	2.00	1.50	85.00	0.21	343140-8553	343170-8553
80-65	85.00	70.00	2.00	2.00	41.20	0.14	343140-8570	343170-8570
100-50	104.00	52.00	2.00	1.50	137.50	0.80	343140-10452	343170-10452
100-50	104.00	53.00	2.00	1.50	137.50	0.80	343140-10453	343170-10453
100-65	104.00	70.00	2.00	2.00	93.50	0.34	343140-10470	343170-10470
100-80	104.00	85.00	2.00	2.00	52.50	0.20	343140-10485	343170-10485
125-80	129.00	85.00	2.00	2.00	121.00	0.38	343140-12985	343170-12985
125-100	129.00	104.00	2.00	2.00	68.50	0.28	343140-129104	343170-129104
150-100	154.00	104.00	2.00	2.00	137.50	0.53	343140-154104	343170-154104
150-125	154.00	129.00	2.00	2.00	68.50	0.29	343140-154129	343170-154129

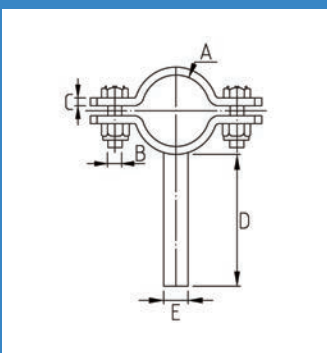
WWW.EFITEK.INOX

**ROUND PIPE HANGER DIN WITHOUT SHANK**



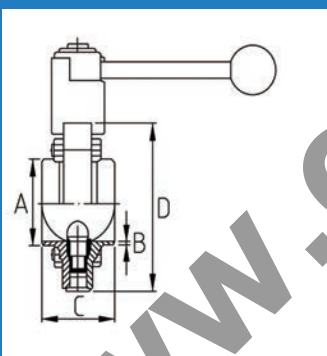
DN	A mm	B mm	C mm	D mm	E mm	kg	AISI 304/1.4301 Art.-Nr.	AISI 316L/1.4404 Art.-Nr.2
10	12.00	M6x20	20x3			0.04	361140-10	
15	18.00	M6x20	20x3			0.05	361140-15	
20	22.00	M6x20	20x3			0.06	361140-20	
25	28.00	M6x20	20x3			0.07	361140-25	
32	34.00	M6x20	20x3			0.08	361140-32	
40	40.00	M6x20	20x3			0.09	361140-40	
50	52.00	M6x20	20x3			0.10	361140-50	
65	70.00	M6x25	20x3			0.13	361140-65	
80	85.00	M6x25	25x3			0.19	361140-80	
100	104.00	M6x25	25x3			0.24	361140-100	
125	129.00	M8x30	30x3			0.37	361140-125	
150	154.00	M8x30	30x4			0.50	361140-150	
200	204.00	M8x35	30x4			0.80	361140-200	
250	254.00	M10x40	30x4			1.10	361140-250	

**ROUND PIPE HANGER DIN WITH SHANK**



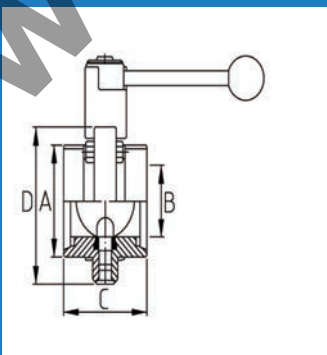
DN	A mm	B mm	C mm	D mm	E mm	kg	AISI 304/1.4301 Art.-Nr.	AISI 316L/1.4404 Art.-Nr.2
10	12.00	M6x20	20x3	55.00	8.00	0.07	362140-10	
15	18.00	M6x20	20x3	55.00	8.00	0.08	362140-15	
20	22.00	M6x20	20x3	55.00	8.00	0.09	362140-20	
25	28.00	M6x20	20x3	55.00	10.00	0.11	362140-25	
32	34.00	M6x20	20x3	55.00	10.00	0.12	362140-32	
40	40.00	M6x20	20x3	55.00	10.00	0.13	362140-40	
50	52.00	M6x20	20x3	55.00	12.00	0.16	362140-50	
65	70.00	M6x25	20x3	55.00	12.00	0.19	362140-65	
80	85.00	M6x25	25x3	55.00	12.00	0.25	362140-80	
100	104.00	M6x25	25x3	55.00	12.00	0.29	362140-100	
125	129.00	M8x30	30x3	55.00	14.00	0.43	362140-125	
150	154.00	M8x30	30x4	55.00	14.00	0.57	362140-150	
200	204.00	M8x35	30x4	55.00	16.00	0.90	362140-200	
250	254.00	M10x40	30x4	55.00	16.00	1.20	362140-250	

**WELDED ENDS BUTTERFLY VALVE WITH HANDLE**



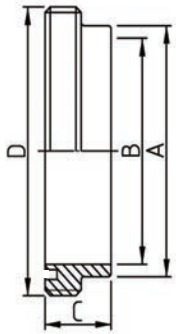
DN	A mm	B mm	C mm	D mm	E mm	kg	AISI 304/1.4301 Art.-Nr.	AISI 316L/1.4404 Art.-Nr.2
25	28.00	1.50	50.00	78.00	DIN 1	1.30	551141-28	551171-28
25	29.00	1.50	50.00	78.00	DIN 2	1.30	551141-29	551171-29
32	34.00	1.50	50.00	86.00	DIN 1	1.40	551141-34	551171-34
32	35.00	1.50	50.00	86.00	DIN 2	1.40	551141-35	551171-35
40	40.00	1.50	50.00	90.00	DIN 1	1.50	551141-40	551171-40
40	41.00	1.50	50.00	90.00	DIN 2	1.50	551141-41	551171-41
50	52.00	1.50	52.00	106.00	DIN 1	1.80	551141-52	551171-52
50	53.00	1.50	52.00	106.00	DIN 2	1.80	551141-53	551171-53
65	70.00	2.00	56.00	124.00	DIN	2.20	551141-70	551171-70
80	85.00	2.00	60.00	139.00	DIN	4.00	551141-85	551171-85
100	104.00	2.00	64.00	159.00	DIN	4.80	551141-104	551171-104

**THREADED ENDS BUTTERFLY VALVE WITH HANDLE**



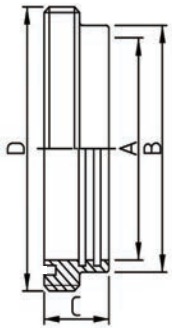
DN	A mm	B mm	C mm	D mm	E mm	kg	AISI 304/1.4301 Art.-Nr.	AISI 316L/1.4404 Art.-Nr.2
25	Rd52x1/6	25.00	66.00	78.00	DIN	1.70	552141-28	552171-28
32	Rd58x1/6	31.00	70.00	86.00	DIN	1.80	552141-34	552171-34
40	Rd65x1/6	37.00	74.00	90.00	DIN	2.00	552141-40	552171-40
50	Rd78x1/6	49.00	76.00	106.00	DIN	2.40	552141-52	552171-52
65	Rd95x1/6	66.00	80.00	124.00	DIN	3.10	552141-70	552171-70
80	Rd110x1/4	81.00	84.00	139.00	DIN	5.20	552141-85	552171-85
100	Rd130x1/4	100.00	104.00	159.00	DIN	6.50	552141-104	552171-104

## WELDING MALE SMS



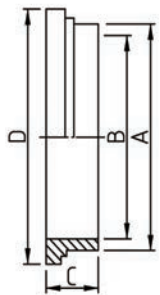
DN	A mm	B mm	C mm	D mm	E mm	kg	AISI 304/1.4301 Art.-Nr.	AISI 316L/1.4404 Art.-Nr.2
25	25.00	22.50	19.00	Rd40x1/6		0.06	101240-25	101270-25
38	38.00	35.50	23.00	Rd60x1/6		0.18	101240-38	101270-38
51	51.00	48.50	23.00	Rd70x1/6		0.19	101240-51	101270-51
63.5	63.50	60.50	27.00	Rd85x1/6		0.35	101240-63	101270-63
76.1	76.10	72.90	27.00	Rd98x1/6		0.43	101240-76	101270-76
101.6	101.60	97.60	30.00	Rd132x1/6		0.59	101240-101	101270-101
101.6	101.60	97.60	30.00	Rd125x1/4		0.53	101040-101	101070-101
104	104.00	100.00	30.00	Rd125x1/4		0.54	101240-104	101270-104

## EXPANDING MALE SMS



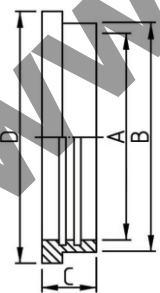
DN	A mm	B mm	C mm	D mm	E mm	kg	AISI 304/1.4301 Art.-Nr.	AISI 316L/1.4404 Art.-Nr.2
25	25.20	32.00	20.00	Rd40x1/6		0.07	103240-25	103270-25
38	38.20	48.00	23.00	Rd60x1/6		0.20	103240-38	103270-38
51	51.20	60.00	25.00	Rd70x1/6		0.22	103240-51	103270-51
63.5	63.70	73.50	30.00	Rd85x1/6		0.39	103240-63	103270-63
76.1	76.30	86.00	35.00	Rd98x1/6		0.46	103240-76	103270-76
101.6	101.80	109.60	30.00	Rd132x1/6		0.61	103240-101	103270-101
101.6	101.80	109.60	30.00	Rd125x1/4		0.55	103040-101	103070-101
104	104.20	110.00	30.00	Rd125x1/4		0.56	103240-104	103270-104

## WELDING LINER SMS



DN	A mm	B mm	C mm	D mm	E mm	kg	AISI 304/1.4301 Art.-Nr.	AISI 316L/1.4404 Art.-Nr.2
25	25.00	22.50	15.50	35.50		0.05	104240-25	104270-25
38	38.00	35.50	16.00	55.00		0.11	104240-38	104270-38
51	51.00	48.50	17.00	65.00		0.13	104240-51	104270-51
63.5	63.50	60.50	17.00	80.00		0.20	104240-63	104270-63
76.1	76.10	72.90	19.00	93.00		0.25	104240-76	104270-76
101.6	101.60	97.60	19.00	127.00		0.36	104240-101	104270-101
101.6	101.60	97.60	19.00	118.00		0.31	104040-101	104070-101
104	104.00	100.00	19.00	118.00		0.32	104240-104	104270-104

## EXPANDING LINER SMS



DN	A mm	B mm	C mm	D mm	E mm	kg	AISI 304/1.4301 Art.-Nr.	AISI 316L/1.4404 Art.-Nr.2
25	25.20	32.00	17.00	35.50		0.05	106240-25	106270-25
38	38.20	48.00	20.00	55.00		0.13	106240-38	106270-38
51	51.20	60.00	20.00	65.00		0.15	106240-51	106270-51
63.5	63.70	73.50	25.00	80.00		0.23	106240-63	106270-63
76.1	76.20	86.00	30.00	93.00		0.33	106240-76	106270-76
101.6	101.80	109.60	35.00	127.00		0.39	106240-101	106270-101
101.6	101.80	109.60	27.00	118.00		0.36	106040-101	106070-101
104	104.20	110.00	27.00	118.00		0.37	106240-104	106270-104

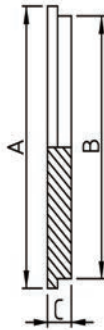


NUT 6 SLOTS  
SMS



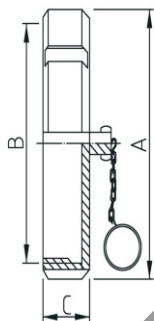
DN	A mm	B mm	C mm	D mm	E mm	kg	AISI 304/1.4301 Art.-Nr.	AISI 316L/1.4404 Art.-Nr.2
25	19.00	4.00	51.00	32.30	40 x 1/6"	0.11	107240-25	
38	23.00	4.00	74.00	48.50	60 x 1/6"	0.25	107240-38	
51	24.00	5.00	84.00	61.00	70 x 1/6"	0.30	107240-51	
63.5	28.00	5.00	100.00	74.00	85 x 1/6"	0.45	107240-63	
76.1	30.00	6.00	114.00	87.00	98 x 1/6"	0.63	107240-76	
101.6	31.00	5.00	150.00	117.00	132 x 1/6"	0.98	107240-101	
101,6/104	31.00	5.00	138.00	113.00	125 x 1/4"	0.88	107040-101	

BLANK CAP  
SMS



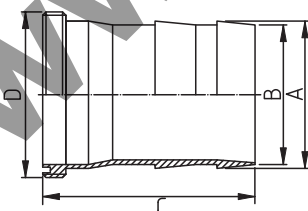
DN	A mm	B mm	C mm	D mm	E mm	kg	AISI 304/1.4301 Art.-Nr.	AISI 316L/1.4404 Art.-Nr.2
25	35.50	32.00	7.50			0.05	108240-25	108270-25
38	55.00	48.00	9.00			0.14	108240-38	108270-38
51	65.00	60.00	10.00			0.22	108240-51	108270-51
63.5	80.00	73.50	10.00			0.33	108240-63	108270-63
76.1	93.00	86.00	11.00			0.51	108240-76	108270-76
101.6	127.00	116.00	13.00			1.06	108240-101	108270-101
101,6/104	118.00	112.00	11.00			0.98	108040-101	108070-101

BLIND NUT WITH BOSS  
SMS



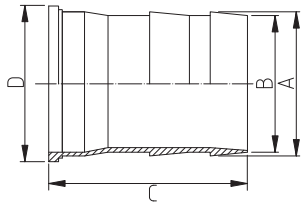
DN	A mm	B mm	C mm	D mm	E mm	kg	AISI 304/1.4301 Art.-Nr.	AISI 316L/1.4404 Art.-Nr.2
25	51.00	40 x 1/6"	19.00			0.18	109240-25	
38	74.00	60 x 1/6"	23.00			0.27	109240-38	
51	84.00	70 x 1/6"	24.00			0.41	109240-51	
63.5	100.00	85 x 1/6"	28.00			0.75	109240-63	
76.1	114.00	98 x 1/6"	30.00			0.94	109240-76	
101.6	150.00	132 x 1/6"	31.00			1.50	109240-101	
101,6/104	132.00	125 x 1/4"	31.00			1.30	109040-101	

MALE HOSE FITTING  
SMS



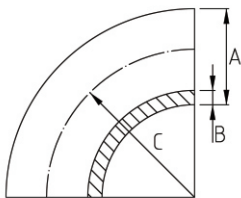
DN	A mm	B mm	C mm	D mm	E mm	kg	AISI 304/1.4301 Art.-Nr.	AISI 316L/1.4404 Art.-Nr.2
25	25.40	22.40	68.00	40 x 1/6"		0.10	151240-25	151270-25
38	38.10	35.10	85.00	60 x 1/6"		0.22	151240-38	151270-38
51	50.80	47.20	100.00	70 x 1/6"		0.34	151240-51	151270-51
63.5	63.50	59.90	123.00	85 x 1/6"		0.43	151240-63	151270-63
76.1	76.20	72.60	135.00	98 x 1/6"		0.58	151240-76	151270-76
101.6	101.60	98.00	137.00	132 x 1/6"		0.90	151240-101	151270-101
101.6	101.60	98.00	137.00	125 x 1/4"		0.86	151040-101	151070-101
104	103.60	100.00	137.00	125 x 1/4"		0.88	151240-104	151270-104

## LINER HOSE FITTING SMS



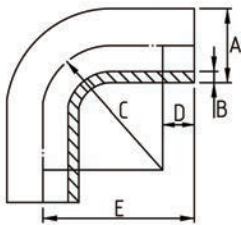
DN	A mm	B mm	C mm	D mm	E mm	kg	AISI 304/1.4301 Art.-Nr.	AISI 316L/1.4404 Art.-Nr.2
25	25.40	22.40	63.50	35.50		0.08	152240-25	152270-25
38	38.10	35.10	78.00	55.00		0.16	152240-38	152270-38
51	50.80	47.20	92.00	65.00		0.20	152240-51	152270-51
63.5	63.50	59.90	110.00	80.00		0.29	152240-63	152270-63
76.1	76.20	72.60	119.00	93.00		0.41	152240-76	152270-76
101.6	101.60	98.00	126.00	127.00		0.69	152240-101	152270-101
101.6	101.60	98.00	126.00	118.00		0.67	152040-101	152070-101
104	103.60	100.00	126.00	118.00		0.68	152240-104	152270-104

## 90° WELDING BEND 1.5D SMS



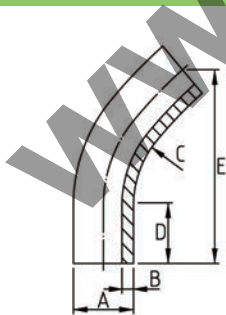
DN	A mm	B mm	C mm	D mm	E mm	kg	AISI 304/1.4301 Art.-Nr.	AISI 316L/1.4404 Art.-Nr.2
25	25.00	1.25	37.50			0.04	301240-25	301270-25
38	38.00	1.25	57.00			0.10	301240-38	301270-38
51	51.00	1.25	76.50			0.21	301240-51	301270-51
63.5	63.50	1.50	95.25			0.32	301240-63	301270-63
76.1	76.10	1.60	114.15			0.63	301240-76	301270-76
101.6	101.60	2.00	152.10			1.30	301240-101	301270-101
104	104.00	2.00	150.00			1.31	301240-104	301270-104

## 90° BEND WITH STRAIGHT ENDS 1D SMS

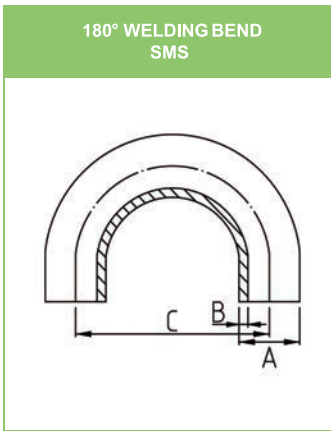


DN	A mm	B mm	C mm	D mm	E mm	kg	AISI 304/1.4301 Art.-Nr.	AISI 316L/1.4404 Art.-Nr.2
25	25.00	1.25	32.00	23.00	55.00	0.04	302240-25	302270-25
38	38.00	1.25	45.00	25.00	70.00	0.10	302240-38	302270-38
51	51.00	1.25	58.00	24.00	82.00	0.21	302240-51	302270-51
63.5	63.50	1.50	70.00	35.00	105.00	0.32	302240-63	302270-63
76.1	76.10	1.60	76.00	34.00	110.00	0.63	302240-76	302270-76
101.6	101.60	2.00	110.00	40.00	150.00	1.30	302240-101	302270-101
104	104.00	2.00	110.00	40.00	150.00	1.31	302240-104	302270-101

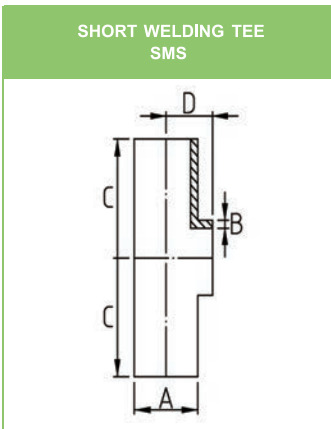
## 45° BEND WITH STRAIGHT ENDS SMS



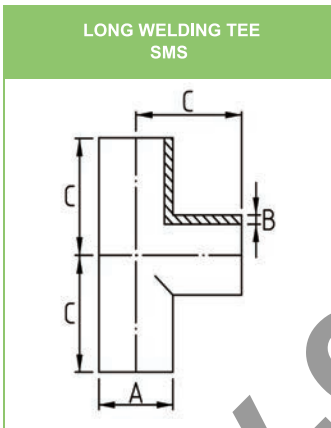
DN	A mm	B mm	C mm	D mm	E mm	kg	AISI 304/1.4301 Art.-Nr.	AISI 316L/1.4404 Art.-Nr.2
25	25.00	1.25	37.00	25.00	80.00	0.07	312240-25	312270-25
38	38.00	1.25	38.00	30.00	105.00	0.12	312240-38	312270-38
51	51.00	1.25	51.00	30.00	103.00	0.22	312240-51	312270-51
63.5	63.50	1.50	90.00	35.00	115.00	0.35	312240-63	312270-63
76.1	76.10	1.60	95.00	35.00	135.00	0.51	312240-76	312270-76
101.6	101.60	2.00	110.00	35.00	150.00	0.93	312240-101	312270-101
104	104.00	2.00	110.00	35.00	150.00	0.95	312240-104	312270-101



DN	A mm	B mm	C mm	D mm	E mm	kg	AISI 304/1.4301 Art.-Nr.	AISI 316L/1.4404 Art.-Nr.2
25	25.00	1.25	81.00			0.17	321240-25	321270-25
38	38.00	1.25	106.00			0.32	321240-38	321270-38
51	51.00	1.25	144.00			0.48	321240-51	321270-51
63.5	63.50	1.50	172.00			0.70	321240-63	321270-63
76.1	76.10	1.60	175.00			1.29	321240-76	321270-76
101.6	101.60	2.00	220.00			2.40	321240-101	321270-101
104	104.00	2.00	220.00			2.42	321240-104	321270-104



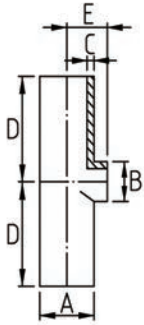
DN	A mm	B mm	C mm	D mm	E mm	kg	AISI 304/1.4301 Art.-Nr.	AISI 316L/1.4404 Art.-Nr.2
25	25.00	1.25	55.00	14.00		0.10	331240-25	331270-25
38	38.00	1.25	70.00	21.00		0.16	331240-38	331270-38
51	51.00	1.25	82.00	28.50		0.24	331240-51	331270-51
63.5	63.50	1.50	105.00	36.00		0.46	331240-63	331270-63
76.1	76.10	1.60	110.00	43.00		0.78	331240-76	331270-76
101.6	101.60	2.00	150.00	58.00		1.41	331240-101	331270-101
104	104.00	2.00	150.00	58.00		1.42	331240-104	331270-104



DN	A mm	B mm	C mm	D mm	E mm	kg	AISI 304/1.4301 Art.-Nr.	AISI 316L/1.4404 Art.-Nr.2
25	25.00	1.25	55.00			0.11	332240-25	332270-25
38	38.00	1.25	70.00			0.23	332240-38	332270-38
51	51.00	1.25	82.00			0.33	332240-51	332270-51
63.5	63.50	1.50	105.00			0.65	332240-63	332270-63
76.1	76.10	1.60	110.00			1.05	332240-76	332270-76
101.6	101.60	2.00	150.00			2.00	332240-101	332270-101
104	104.00	2.00	150.00			2.02	332240-104	332270-104

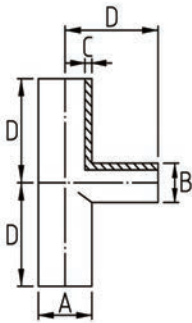
www.efitekinox.com

## REDUCED WELDING SHORT TEE SMS



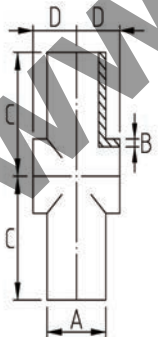
DN	A mm	B mm	C mm	D mm	E mm	kg	AISI 304/1.4301 Art.-Nr.	AISI 316L/1.4404 Art.-Nr.2
38-25	38.00	25.00	1.25	70.00	22.00	0.20	333240-3825	333270-3825
51-25	51.00	25.00	1.25	82.00	28.00	0.29	333240-5125	333270-5125
51-38	51.00	38.00	1.25	82.00	28.00	0.29	333240-5138	333270-5138
63.5-25	63.50	25.00	1.50	105.00	36.00	0.50	333240-6325	333270-6325
63.5-38	63.50	38.00	1.50	105.00	36.00	0.50	333240-6338	333270-6338
63.5-51	63.50	51.00	1.50	105.00	36.00	0.48	333240-6351	333270-6351
76.1-25	76.10	25.00	1.60	110.00	44.00	0.80	333240-7625	333270-7625
76.1-38	76.10	38.00	1.60	110.00	44.00	0.78	333240-7638	333270-7638
76.1-51	76.10	51.00	1.60	110.00	44.00	0.78	333240-7651	333270-7651
76.1-63.5	76.10	63.50	1.60	110.00	44.00	0.78	333240-7663	333270-7663
101.6-25	101.60	25.00	2.00	150.00	58.00	1.50	333240-10125	333270-10125
101.6-38	101.60	38.00	2.00	150.00	58.00	1.50	333240-10138	333270-10138
101.6-51	101.60	51.00	2.00	150.00	58.00	1.48	333240-10151	333270-10151
101.6-63.5	101.60	63.50	2.00	150.00	58.00	1.48	333240-10163	333270-10163
101.6-76.1	101.60	76.10	2.00	150.00	58.00	1.48	333240-10176	333270-10176
104-25	101.60	25.00	2.00	150.00	58.00	1.52	333240-10425	333270-10425
104-38	101.60	38.00	2.00	150.00	58.00	1.52	333240-10438	333270-10438
104-51	101.60	51.00	2.00	150.00	58.00	1.50	333240-10451	333270-10451
104-63.5	101.60	63.50	2.00	150.00	58.00	1.50	333240-10463	333270-10463
104-76.1	101.60	76.10	2.00	150.00	58.00	1.50	333240-10476	333270-10476

## REDUCED WELDING SHORT TEE SMS



DN	A mm	B mm	C mm	D mm	E mm	kg	AISI 304/1.4301 Art.-Nr.	AISI 316L/1.4404 Art.-Nr.2
38-25	38.00	25.00	1.25	70.00	22.00	0.24	335240-3825	335270-3825
51-25	51.00	25.00	1.25	82.00	28.00	0.35	335240-5125	335270-5125
51-38	51.00	38.00	1.25	82.00	28.00	0.35	335240-5138	335270-5138
63.5-25	63.50	25.00	1.50	105.00	36.00	0.60	335240-6325	335270-6325
63.5-38	63.50	38.00	1.50	105.00	36.00	0.60	335240-6338	335270-6338
63.5-51	63.50	51.00	1.50	105.00	36.00	0.58	335240-6351	335270-6351
76.1-25	76.10	25.00	1.60	110.00	44.00	0.96	335240-7625	335270-7625
76.1-38	76.10	38.00	1.60	110.00	44.00	0.94	335240-7638	335270-7638
76.1-51	76.10	51.00	1.60	110.00	44.00	0.94	335240-7651	335270-7651
76.1-63.5	76.10	63.50	1.60	110.00	44.00	0.94	335240-7663	335270-7663
101.6-25	101.60	25.00	2.00	150.00	58.00	1.80	335240-10125	335270-10125
101.6-38	101.60	38.00	2.00	150.00	58.00	1.80	335240-10138	335270-10138
101.6-51	101.60	51.00	2.00	150.00	58.00	1.78	335240-10151	335270-10151
101.6-63.5	101.60	63.50	2.00	150.00	58.00	1.78	335240-10163	335270-10163
101.6-76.1	101.60	76.10	2.00	150.00	58.00	1.78	335240-10176	335270-10176
104-25	101.60	25.00	2.00	150.00	58.00	1.82	335240-10425	335270-10425
104-38	101.60	38.00	2.00	150.00	58.00	1.82	335240-10438	335270-10438
104-51	101.60	51.00	2.00	150.00	58.00	1.80	335240-10451	335270-10451
104-63.5	101.60	63.50	2.00	150.00	58.00	1.80	335240-10463	335270-10463
104-76.1	101.60	76.10	2.00	150.00	58.00	1.80	335240-10476	335270-10476

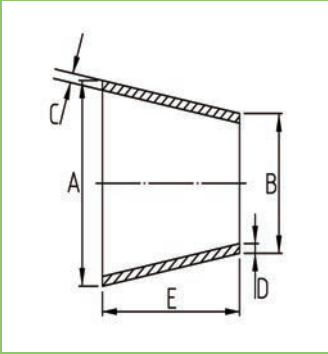
## WELDING CROSS SMS



DN	A mm	B mm	C mm	D mm	E mm	kg	AISI 304/1.4301 Art.-Nr.	AISI 316L/1.4404 Art.-Nr.2
25	25.00	1.25	55.00	14.00		0.10	334240-25	334270-25
38	38.00	1.25	70.00	21.00		0.16	334240-38	334270-38
51	51.00	1.25	82.00	28.50		0.24	334240-51	334270-51
63.5	63.50	1.50	105.00	36.00		0.46	334240-63	334270-63
76.1	76.10	1.60	110.00	43.00		0.78	334240-76	334270-76
101.6	101.60	2.00	150.00	58.00		1.41	334240-101	334270-101
104	104.00	2.00	150.00	58.00		1.43	334240-104	334270-104

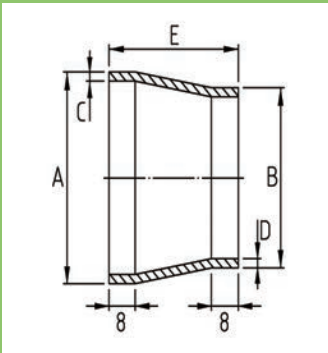


**CONCENTRIC REDUCER WITHOUT STRAIGHT ENDS SMS**



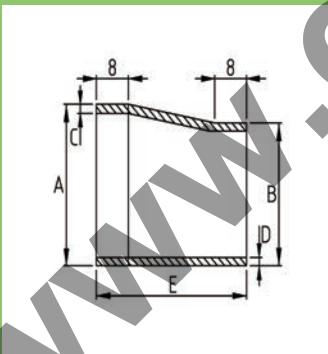
DN	A mm	B mm	C mm	D mm	E mm	kg	AISI 304/1.4301 Art.-Nr.	AISI 316L/1.4404 Art.-Nr.2
38-25	38.00	25.00	1.25	1.25	39.00	0.03	341240-3825	341270-3825
51-25	51.00	25.00	1.25	1.25	78.00	0.08	341240-5125	341270-5125
51-38	51.00	38.00	1.25	1.25	39.00	0.05	341240-5138	341270-5138
63.5-25	63.50	25.00	1.50	1.25	78.00	0.15	341240-6325	341270-6325
63.5-38	63.50	38.00	1.50	1.25	75.00	0.12	341240-6338	341270-6338
63.5-51	63.50	51.00	1.60	1.25	36.00	0.70	341240-6351	341270-6351
76.1-25	76.10	25.00	1.60	1.25	118.00	0.32	341240-7625	341270-7625
76.1-38	76.10	38.00	1.60	1.25	114.00	0.25	341240-7638	341270-7638
76.1-51	76.10	51.00	1.60	1.25	75.00	0.17	341240-7651	341270-7651
76.1-63.5	76.10	63.50	1.60	1.50	39.00	0.09	341240-7663	341270-7663
101.6-51	101.60	51.00	2.00	1.25	159.00	0.50	341240-10151	341270-10151
101.6-63.5	101.60	63.50	2.00	1.50	123.00	0.40	341240-10163	341270-10163
101.6-76.1	101.60	76.10	2.00	1.60	84.00	0.35	341240-10176	341270-10176
104-51	104.00	51.00	2.00	1.25	159.00	0.52	341240-10451	341270-10451
104-63.5	104.00	63.50	2.00	1.50	123.00	0.42	341240-10463	341270-10463
104-76.1	104.00	76.10	2.00	1.60	84.00	0.37	341240-10476	341270-10476

**CONCENTRIC REDUCER WITH STRAIGHT ENDS SMS**



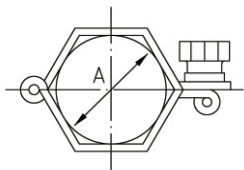
DN	A mm	B mm	C mm	D mm	E mm	kg	AISI 304/1.4301 Art.-Nr.	AISI 316L/1.4404 Art.-Nr.2
38-25	38.00	25.00	1.25	1.25	39.00	0.03	342240-3825	342270-3825
51-25	51.00	25.00	1.25	1.25	57.00	0.08	342240-5125	342270-5125
51-38	51.00	38.00	1.25	1.25	39.00	0.05	342240-5138	342270-5138
63.5-25	63.50	25.00	1.50	1.25	74.00	0.15	342240-6325	342270-6325
63.5-38	63.50	38.00	1.50	1.25	57.00	0.12	342240-6338	342270-6338
63.5-51	63.50	51.00	1.60	1.25	39.00	0.70	342240-6351	342270-6351
76.1-25	76.10	25.00	1.60	1.25	92.00	0.32	342240-7625	342270-7625
76.1-38	76.10	38.00	1.60	1.25	74.00	0.25	342240-7638	342270-7638
76.1-51	76.10	51.00	1.60	1.25	57.00	0.17	342240-7651	342270-7651
76.1-63.5	76.10	63.50	1.60	1.50	39.00	0.09	342240-7663	342270-7663
101.6-51	101.60	51.00	2.00	1.25	95.00	0.50	342240-10151	342270-10151
101.6-63.5	101.60	63.50	2.00	1.50	78.00	0.40	342240-10163	342270-10163
101.6-76.1	101.60	76.10	2.00	1.60	60.00	0.35	342240-10176	342270-10176
104-51	104.00	51.00	2.00	1.25	95.00	0.52	342240-10451	342270-10451
104-63.5	104.00	63.50	2.00	1.50	78.00	0.42	342240-10463	342270-10463
104-76.1	104.00	76.10	2.00	1.60	60.00	0.37	342240-10476	342270-10476

**ECCENTRIC REDUCER WITH STRAIGHT ENDS SMS**



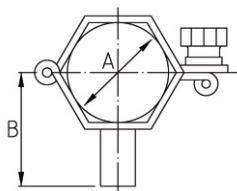
DN	A mm	B mm	C mm	D mm	E mm	kg	AISI 304/1.4301 Art.-Nr.	AISI 316L/1.4404 Art.-Nr.2
38-25	38.00	25.00	1.25	1.25	46.00	0.03	344240-3825	344270-3825
51-25	51.00	25.00	1.25	1.25	68.00	0.08	344240-5125	344270-5125
51-38	51.00	38.00	1.25	1.25	47.00	0.05	344240-5138	344270-5138
63.5-25	63.50	25.00	1.50	1.25	92.00	0.15	344240-6325	344270-6325
63.5-38	63.50	38.00	1.50	1.25	70.00	0.12	344240-6338	344270-6338
63.5-51	63.50	51.00	1.50	1.25	44.00	0.70	344240-6351	344270-6351
76.1-38	76.10	38.00	1.60	1.25	92.00	0.25	344240-7638	344270-7638
76.1-51	76.10	51.00	1.60	1.25	68.00	0.17	344240-7651	344270-7651
76.1-63.5	76.10	63.50	1.60	1.50	47.00	0.09	344240-7663	344270-7663
101.6-51	101.60	51.00	2.00	1.25	117.00	0.50	344240-10151	344270-10151
101.6-63.5	101.60	63.50	2.00	1.50	94.00	0.40	344240-10163	344270-10163
101.6-76.1	101.60	76.10	2.00	1.60	74.00	0.35	344240-10176	344270-10176
104-51	104.00	51.00	2.00	1.25	117.00	0.52	344240-10451	344270-10451
104-63.5	104.00	63.50	2.00	1.50	94.00	0.42	344240-10463	344270-10463
104-76.1	104.00	76.10	2.00	1.60	74.00	0.37	344240-10476	344270-10476

**HEXAGONAL PIPE HANGER WITHOUT SHANK SMS**



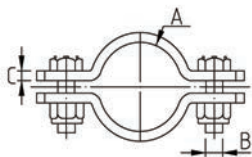
DN	A mm	B mm	C mm	D mm	E mm	kg	AISI 304/1.4301 Art.-Nr.	AISI 316L/1.4404 Art.-Nr.2
25	25.00					0.09	363240-25	
38	38.00					0.11	363240-38	
51	51.00					0.13	363240-51	
63.5	63.50					0.16	363240-63	
76.1	76.10					0.17	363240-76	
101.6	101.60					0.22	363240-101	
104	104.00					0.24	363240-104	

**HEXAGONAL PIPE HANGER WITH SHANK SMS**



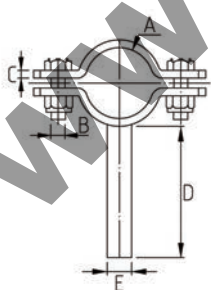
DN	A mm	B mm	C mm	D mm	E mm	kg	AISI 304/1.4301 Art.-Nr.	AISI 316L/1.4404 Art.-Nr.2
25	25.00	100.00				0.14	364240-25	
38	38.00	100.00				0.16	364240-38	
51	51.00	100.00				0.18	364240-51	
63.5	63.50	100.00				0.20	364240-63	
76.1	76.10	100.00				0.21	364240-76	
101.6	101.60	100.00				0.25	364240-101	
104	104.00	100.00				0.27	364240-101	

**ROUND PIPE HANGER SMS WITHOUT SHANK**



DN	A mm	B mm	C mm	D mm	E mm	kg	AISI 304/1.4301 Art.-Nr.	AISI 316L/1.4404 Art.-Nr.2
25	25.00	M6x20	20x3			0.96	361240-25	
38	38.00	M6x20	20x3			0.08	361240-38	
51	51.00	M6x20	20x3			0.10	361240-51	
63	63.50	M6x25	20x3			0.13	361240-63	
76	76.00	M6x25	25x3			0.17	361240-76	
101	101.60	M6x25	25x3			0.23	361240-101	
104	104.00	M6x25	25x3			0.24	361240-104	

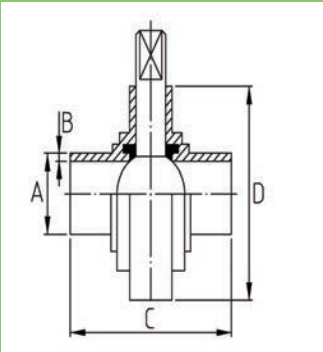
**ROUND PIPE HANGER SMS WITH SHANK**

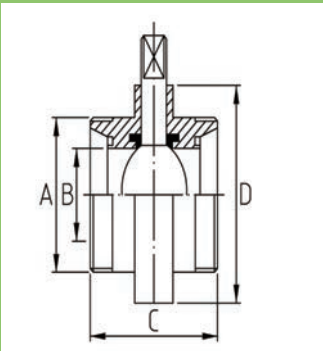


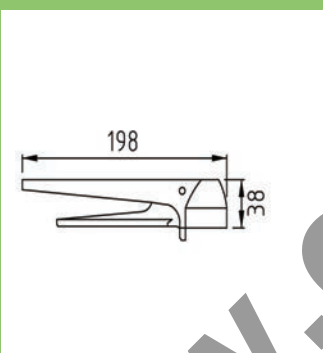
DN	A mm	B mm	C mm	D mm	E mm	kg	AISI 304/1.4301 Art.-Nr.	AISI 316L/1.4404 Art.-Nr.2
25	25.00	M6x20	20x3	55.00	8.00	0.10	362240-25	
38	38.00	M6x20	20x3	55.00	10.00	0.12	362240-38	
51	51.00	34-38	20x3	55.00	12.00	0.16	362240-51	
63	63.50	M6x25	20x3	55.00	12.00	0.18	362240-63	
76	76.00	M6x25	25x3	55.00	12.00	0.22	362240-76	
101	101.60	M6x25	25x3	55.00	12.00	0.29	362240-101	
104	104	M6x25	25x3	55.00	12.00	0.29	362240-104	



SMS

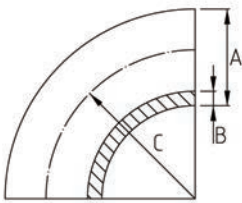
LONG WELDED ENDS BUTTERFLY VALVE		DN	A mm	B mm	C mm	D mm	E mm	kg	AISI 304/1.4301 Art.-Nr.	AISI 316L/1.4404 Art.-Nr.2
	25	25.00	1.25	68.00	79.00	SMS	0.73	553241-25	553271-25	
	38	38.00	1.25	76.00	85.00	SMS	0.97	553241-38	553271-38	
	51	51.00	1.50	80.00	105.00	SMS	1.27	553241-51	553271-51	
	63.5	63.50	1.65	80.00	112.00	SMS	1.46	553241-63	553271-63	
	76.1	76.10	2.00	82.00	125.00	SMS	1.76	553241-76	553271-76	
	101.6	101.60	2.00	88.00	157.00	SMS	2.84	553241-101	553271-101	
	104	104.00	2.00	88.00	157.00	SMS	2.84	553141-104	553171-104	

LONG THREADED ENDS BUTTERFLY VALVE		DN	A mm	B mm	C mm	D mm	E mm	kg	AISI 304/1.4301 Art.-Nr.	AISI 316L/1.4404 Art.-Nr.2
	25	Rd40x1/6	22.50	68.00	79.00	SMS	0.97	554241-25	554271-25	
	38	Rd60x1/6	35.40	76.00	85.00	SMS	1.27	554241-38	554271-38	
	51	Rd70x1/6	48.00	80.00	105.00	SMS	1.89	554241-51	554271-51	
	63.5	Rd85x1/6	60.20	80.00	112.00	SMS	2.30	554241-63	554271-63	
	76.1	Rd98x1/6	72.10	82.00	125.00	SMS	2.76	554241-76	554271-76	
	101,6/104	Rd132x1/6	97.60	88.00	157.00	SMS	4.24	554241-101	554271-101	

MULTI-POSITION HANDLE FOR LONG ENDS VALVE		DN	A mm	B mm	C mm	D mm	E mm	kg	AISI 304/1.4301 Art.-Nr.	AISI 316/1.4408 Art.-Nr.2
	25-65							0.52	591040-2565	
	80-100							0.52	591040-80100	

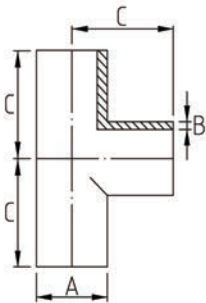
www.efitekinox.com

**90° WELDING BEND 1.5D**  
3A



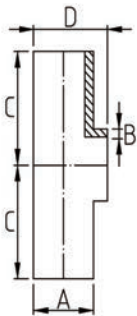
DN	A mm	B mm	C mm	D mm	E mm	kg	AISI 304/1.4301 Art.-Nr.	AISI 316L/1.4404 Art.-Nr.2
1/2"	12.70	1.65	19.10			0.01	301440-12	301470-12
3/4"	19.10	1.65	28.60			0.03	301440-19	301470-19
1"	25.40	1.65	38.10			0.05	301440-25	301470-25
1.5"	38.10	1.65	57.20			0.13	301440-38	301470-38
2"	50.80	1.65	76.20			0.27	301440-50	301470-50
2.5"	63.50	1.65	95.20			0.33	301440-63	301470-63
3"	76.20	1.65	114.30			0.63	301440-76	301470-76
4"	101.60	2.10	152.40			1.30	301440-101	301470-101
6"	152.40	2.10	228.60			2.72	301440-152	301470-152

**EQUAL WELDING TEE 3A**



DN	A mm	B mm	C mm	D mm	E mm	kg	AISI 304/1.4301 Art.-Nr.	AISI 316L/1.4404 Art.-Nr.2
1"	25.40	1.65	28.60			0.15	332440-25	332470-25
1.5"	38.10	1.65	42.10			0.31	332440-38	332470-38
2"	50.80	1.65	52.40			0.44	332440-50	332470-50
2.5"	63.50	1.65	59.60			0.70	332440-63	332470-63
3"	76.20	1.65	65.90			1.05	332440-76	332470-76
4"	101.60	2.10	87.40			2.00	332440-101	332470-101

**SHORT WELDING TEE 3A**



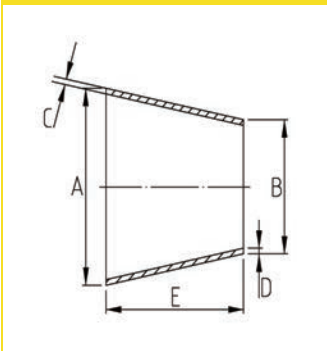
DN	A mm	B mm	C mm	D mm	E mm	kg	AISI 304/1.4301 Art.-Nr.	AISI 316L/1.4404 Art.-Nr.2
3/4"	19.10	1.65	25.40	20.50		0.10	331440-19	331470-19
1"	25.40	1.65	28.60	26.90		0.13	331440-25	331470-25
1.5"	38.10	1.65	42.10	40.60		0.20	331440-38	331470-38
2"	50.80	1.65	52.40	54.50		0.32	331440-50	331470-50
2.5"	63.50	1.65	59.60	67.00		0.47	331440-63	331470-63
3"	76.20	1.65	65.90	79.50		0.79	331440-76	331470-76
4"	101.60	2.10	87.40	105.50		1.41	331440-101	331470-101

www.efitekinox.com

3A

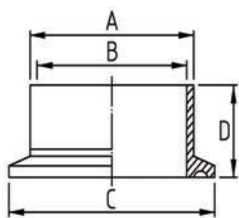


**CONCENTRIC REDUCER WITHOUT STRAIGHT END 3A**



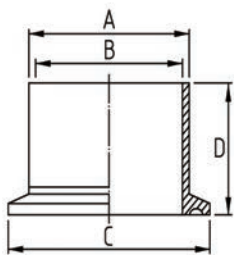
DN	A mm	B mm	C mm	D mm	E mm	kg	AISI 304/1.4301 Art.-Nr.	AISI 316L/1.4404 Art.-Nr.2
1/2"x1/4"	12.70	6.35	1.65	1.65	25.40	0.01	341440-1206	341470-1206
1/2"x3/8"	12.70	9.53	1.65	1.65	25.40	0.01	341440-1209	341470-1209
3/4"x1/2"	19.10	12.70	1.65	1.65	25.40	0.02	341440-1912	341470-1912
3/4"x3/8"	19.10	9.53	1.65	1.65	25.40	0.02	341440-1909	341470-1909
1.0"x1/2"	25.40	12.70	1.65	1.65	38.10	0.03	341440-2512	341470-2512
1.0"x3/8"	25.40	9.53	1.65	1.65	38.10	0.03	341440-2509	341470-2509
1.0"x3/4"	25.40	19.10	1.65	1.65	25.40	0.03	341440-2519	341470-2519
1.5"x3/4"	38.10	19.10	1.65	1.65	50.80	0.04	341440-3819	341470-3819
1.5"x1.0"	38.10	25.40	1.65	1.65	50.80	0.03	341440-3825	341470-3825
2.0"x1.0"	50.80	25.40	1.65	1.65	101.60	0.08	341440-5025	341470-5025
2.0"x1.5"	50.80	38.10	1.65	1.65	50.80	0.09	341440-5038	341470-5038
2.5"x1.0"	63.50	25.40	1.65	1.65	152.40	0.13	341440-6325	341470-6325
2.5"x1.5"	63.50	38.10	1.65	1.65	1p1.6	0.11	341440-6338	341470-6338
2.5"x2.0"	63.50	50.80	1.65	1.65	50.80	0.09	341440-6350	341470-6350
3.0"x1.0"	76.20	25.40	1.65	1.65	203.20	0.20	341440-7625	341470-7625
3.0"x1.5"	76.20	38.10	1.65	1.65	152.40	0.16	341440-7638	341470-7638
3.0"x2.0"	76.20	50.80	1.65	1.65	101.60	0.12	341440-7650	341470-7650
3.0"x2.5"	76.20	63.50	1.65	1.65	50.80	0.11	341440-7663	341470-7663
4.0"x2.0"	101.60	50.80	2.10	1.65	203.20	0.29	341440-10150	341470-10150
4.0"x2.5"	101.60	63.50	2.10	1.65	152.40	0.24	341440-10163	341470-10163
4.0"x3.0"	101.60	76.20	2.10	1.65	101.60	0.17	341440-10176	341470-10176
5.0"x4.0"	127.00	101.60	2.10	2.10	70.00	0.35	341440-127101	341470-127101
6.0"x3.0"	152.40	76.20	2.10	2.10	241.30	0.55	341440-15276	341470-15276
6.0"x4.0"	152.40	101.60	2.10	2.10	139.70	0.45	341440-152101	341470-152101

FERRULE DIN



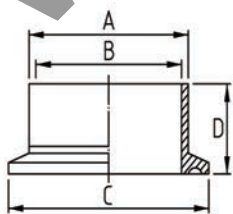
DN	A mm	B mm	C mm	D mm	E mm	kg	AISI 304/1.4301 Art.-Nr.	AISI 316L/1.4404 Art.-Nr.2
6	8.00	6.00	25.00	12.70		0.02	131140-8	131170-8
8	10.00	8.00	25.00	12.70		0.02	131140-10	131170-10
10	12.00	9.00	34.00	18.00		0.03	131140-12	131170-12
10	13.00	10.00	34.00	18.00		0.03	131140-13	131170-13
15	18.00	15.00	34.00	18.00		0.03	131140-18	131170-18
15	19.00	16.00	34.00	18.00		0.03	131140-19	131170-19
20	22.00	19.00	34.00	18.00		0.03	131140-22	131170-22
20	23.00	20.00	34.00	18.00		0.03	131140-23	131170-23
25	28.00	25.00	50.50	21.50		0.07	131140-28	131170-28
25	29.00	26.00	50.50	21.50		0.07	131140-29	131170-29
32	34.00	31.00	50.50	21.50		0.06	131140-34	131170-34
32	35.00	32.00	50.50	21.50		0.06	131140-35	131170-35
40	40.00	37.00	50.50	21.50		0.05	131140-40	131170-40
40	41.00	38.00	50.50	21.50		0.05	131140-41	131170-41
50	52.00	49.00	64.00	21.50		0.07	131140-52	131170-52
50	53.00	50.00	64.00	21.50		0.07	131140-53	131170-53
65	70.00	66.00	91.00	28.00		0.10	131140-70	131170-70
80	85.00	81.00	106.00	28.00		0.20	131140-85	131170-85
100	104.00	100.00	119.00	28.00		0.25	131140-104	131170-104
125	129.00	125.00	155.00	28.00		0.51	131140-129	131170-129
150	154.00	150.00	183.00	28.00		0.67	131140-154	131170-154
200	204.00	200.00	233.50	28.00		0.70	131140-204	131170-204

FERRULE DIN LONG (28,6mm)



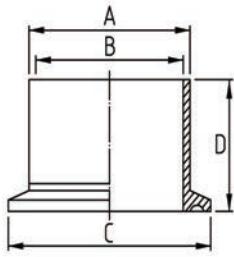
DN	A mm	B mm	C mm	D mm	E mm	kg	AISI 304/1.4301 Art.-Nr.	AISI 316L/1.4404 Art.-Nr.2
6	8.00	6.00	25.00	28.60		0.03	137140-8	137170-8
8	10.00	8.00	25.00	28.60		0.03	137140-10	137170-10
10	12.00	9.00	34.00	28.60		0.04	137140-12	137170-12
10	13.00	10.00	34.00	28.60		0.04	137140-13	137170-13
15	18.00	15.00	34.00	28.60		0.04	137140-18	137170-18
15	19.00	16.00	34.00	28.60		0.04	137140-19	137170-19
20	22.00	19.00	34.00	28.60		0.04	137140-22	137170-22
20	23.00	20.00	34.00	28.60		0.04	137140-23	137170-23
25	28.00	25.00	50.50	28.60		0.07	137140-28	137170-28
25	29.00	26.00	50.50	28.60		0.07	137140-29	137170-29
32	34.00	31.00	50.50	28.60		0.06	137140-34	137170-34
32	35.00	32.00	50.50	28.60		0.06	137140-35	137170-35
40	40.00	37.00	50.50	28.60		0.07	137140-40	137170-40
40	41.00	38.00	50.50	28.60		0.07	137140-41	137170-41
50	52.00	49.00	64.00	28.60		0.09	137140-52	137170-52
50	53.00	50.00	64.00	28.60		0.09	137140-53	137170-53
65	70.00	66.00	91.00	28.60		0.10	137140-70	137170-70
80	85.00	81.00	106.00	28.60		0.20	137140-85	137170-85
100	104.00	100.00	119.00	28.60		0.22	137140-104	137170-104
125	129.00	125.00	155.00	28.60		0.51	137140-129	137170-129
150	154.00	150.00	183.00	28.60		0.67	137140-154	137170-154
200	204.00	200.00	233.50	28.60		0.70	137140-204	137170-204

FERRULE SMS



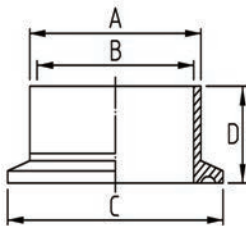
DN	A mm	B mm	C mm	D mm	E mm	kg	AISI 304/1.4301 Art.-Nr.	AISI 316L/1.4404 Art.-Nr.2
25	25.00	22.50	50.50	21.50		0.07	131240-25	131270-25
38	38.00	35.50	50.50	21.50		0.07	131240-38	131270-38
51	51.00	48.50	64.00	21.50		0.11	131240-51	131270-51
63.5	63.50	60.30	77.50	21.50		0.13	131240-63	131270-63
76.1	76.10	72.90	91.00	21.50		0.15	131240-76	131270-76
101.6	101.60	97.60	119.00	21.50		0.24	131240-101	131270-101
104	104.00	100.00	119.00	21.50		0.24	131240-104	131270-101

FERRULE SMS LONG (28,6)



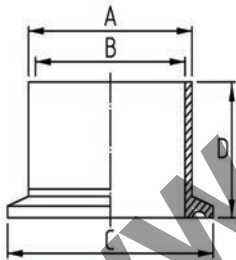
DN	A mm	B mm	C mm	D mm	E mm	kg	AISI 304/1.4301 Art.-Nr.	AISI 316L/1.4404 Art.-Nr.2
25	25.00	22.50	50.50	28.60		0.08	137240-25	137270-25
38	38.00	35.50	50.50	28.60		0.08	137240-38	137270-38
51	51.00	48.50	64.00	28.60		0.12	137240-51	137270-51
63.5	63.50	60.30	77.50	28.60		0.14	137240-63	137270-63
76.1	76.10	72.90	91.00	28.60		0.16	137240-76	137270-76
101.6	101.60	97.60	119.00	28.60		0.25	137240-101	137270-101
104	104.00	100.00	119.00	28.60		0.26	137240-101	137270-101

FERRULE ISO



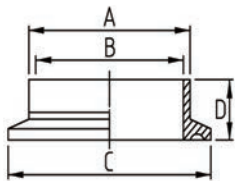
DN	A mm	B mm	C mm	D mm	E mm	kg	AISI 304/1.4301 Art.-Nr.	AISI 316L/1.4404 Art.-Nr.2
6	10.20	7.00	25.00	12.70		0.02	131340-10	131370-10
8	13.50	10.30	25.00	12.70		0.03	131340-13	131370-13
10	17.20	14.00	25.00	12.70		0.04	131340-17	131370-17
15	21.30	18.10	34.00	21.50		0.05	131040-21	131070-21
15	21.30	18.10	50.50	21.50		0.06	131340-21	131370-21
20	26.90	23.70	50.50	21.50		0.07	131340-26	131370-26
25	33.70	29.70	50.50	21.50		0.08	131340-33	131370-33
32	42.40	38.40	64.00	21.50		0.08	131340-42	131370-42
40	48.30	44.30	64.00	21.50		0.09	131340-48	131370-48
50	60.30	56.30	77.50	28.00		0.14	131340-60	131370-60
65	76.10	72.10	91.00	28.00		0.16	131340-76	131370-76
80	88.90	84.30	106.00	28.00		0.20	131340-88	131370-88
100	114.30	109.70	130.00	28.00		0.26	131340-114	131370-114
125	139.70	134.50	155.00	28.00		0.38	131340-139	131370-139
150	168.30	163.10	183.00	28.00		0.54	131340-168	131370-168
200	219.10	213.90	233.50	28.00		0.70	131340-219	131370-219

FERRULE ISO LONG (28,6)



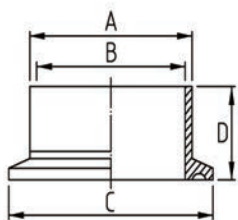
DN	A mm	B mm	C mm	D mm	E mm	kg	AISI 304/1.4301 Art.-Nr.	AISI 316L/1.4404 Art.-Nr.2
6	10.20	7.00	25.00	28.60		0.03	137340-10	137370-10
8	13.50	10.30	25.00	28.60		0.04	137340-13	137370-13
10	17.20	14.00	25.00	28.60		0.05	137340-17	137370-17
15	21.30	18.10	34.00	28.60		0.06	137040-21	137070-21
15	21.30	18.10	50.50	28.60		0.07	137340-21	137370-21
20	26.90	23.70	50.50	28.60		0.08	137340-26	137370-26
25	33.70	29.70	50.50	28.60		0.09	137340-33	137370-33
32	42.40	38.40	64.00	28.60		0.09	137340-42	137370-42
40	48.30	44.30	64.00	28.60		0.10	137340-48	137370-48
50	60.30	56.30	77.50	28.60		0.14	137340-60	137370-60
65	76.10	72.10	91.00	28.60		0.16	137340-76	137370-76
80	88.90	84.30	106.00	28.60		0.20	137340-88	137370-88
100	114.30	109.70	130.00	28.60		0.26	137340-114	137370-114
125	139.70	134.50	155.00	28.60		0.38	137340-139	137370-139
150	168.30	163.10	183.00	28.60		0.54	137340-168	137370-168
200	219.10	213.90	233.50	28.60		0.70	137340-219	137370-219

## FERRULE 3A SHORT (12,7mm)



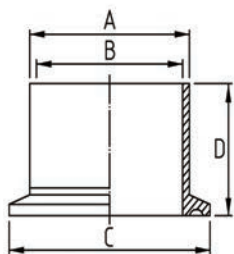
DN	A mm	B mm	C mm	D mm	E mm	kg	AISI 304/1.4301 Art.-Nr.	AISI 316L/1.4404 Art.-Nr.2
1/2"	12.70	9.40	25.00	12.70		0.02	135440-12	135470-12
3/4"	19.05	15.75	25.00	12.70		0.02	135440-19	135470-19
1"	25.40	22.10	50.50	12.70		0.06	135440-25	135470-25
1,5"	38.10	34.80	50.50	12.70		0.06	135440-38	135470-38
2"	50.80	47.50	64.00	12.70		0.08	135440-50	135470-50
2,5"	63.50	60.20	77.50	12.70		0.13	135440-63	135470-63
3"	76.20	72.90	91.00	12.70		0.15	135440-76	135470-76
4"	101.60	97.38	119.00	15.80		0.24	135440-101	135470-101
6"	152.40	146.80	167.00	19.10		0.70	135440-152	135470-152
8"	203.20	197.60	217.70	22.20		0.90	135440-203	135470-203

## FERRULE 3A MEDIUM (21,5mm)



DN	A mm	B mm	C mm	D mm	E mm	kg	AISI 304/1.4301 Art.-Nr.	AISI 316L/1.4404 Art.-Nr.2
1/2"	12.70	9.40	25.00	21.50		0.03	131440-12	131470-12
3/4"	19.05	15.75	25.00	21.50		0.03	131440-19	131470-19
1"	25.40	22.10	50.50	21.50		0.08	131440-25	131470-25
1,5"	38.10	34.80	50.50	21.50		0.08	131440-38	131470-38
2"	50.80	47.50	64.00	21.50		0.10	131440-50	131470-50
2,5"	63.50	60.20	77.50	21.50		0.15	131440-63	131470-63
3"	76.20	72.90	91.00	21.50		0.17	131440-76	131470-76
4"	101.60	97.38	119.00	21.50		0.26	131440-101	131470-101
6"	152.40	146.80	167.00	21.50		0.80	131440-152	131470-152
8"	203.20	197.60	217.70	22.20		1.00	131440-203	131470-203

## FERRULE 3A LONG (28,6mm)



DN	A mm	B mm	C mm	D mm	E mm	kg	AISI 304/1.4301 Art.-Nr.	AISI 316L/1.4404 Art.-Nr.2
1/2"	12.70	9.40	25.00	28.60		0.04	137440-12	137470-12
3/4"	19.05	15.75	25.00	28.60		0.04	137440-19	137470-19
1"	25.40	22.10	50.50	28.60		0.09	137440-25	137470-25
1,5"	38.10	34.80	50.50	28.60		0.09	137440-38	137470-38
2"	50.80	47.50	64.00	28.60		0.12	137440-50	137470-50
2,5"	63.50	60.20	77.50	28.60		0.17	137440-63	137470-63
3"	76.20	72.90	91.00	28.60		0.19	137440-76	137470-76
4"	101.60	97.38	119.00	28.60		0.29	137440-101	137470-101
6"	152.40	146.80	167.00	38.10		0.90	137440-152	137470-152
8"	203.20	197.60	217.70	38.10		1.10	137440-203	137470-203

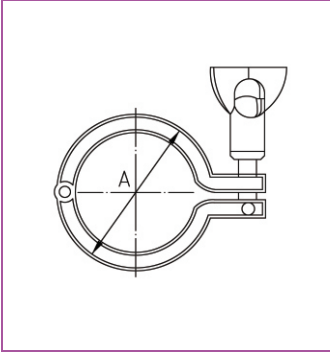
## CLAMP END CAP



HEAD SIZE	A mm	B mm	DIN mm	SMS mm	ISO mm	kg	AISI 304/1.4301 Art.-Nr.	AISI 316L/1.4404 Art.-Nr.2
25	25.00	6.00	DN 6-8	-	ISO 10,2-17,2	0.02	132040-25	132070-25
34	34.00	6.30	DN 10-20	-	-	0.03	132040-34	132070-34
50.5	50.50	6.30	DN 25-40	SMS25-38	ISO 21.3-33.7	0.08	132040-50	132070-50
64	64.00	6.30	DN 50	SMS51	ISO 42.4-48.3	0.14	132040-64	132070-64
77.5	77.50	6.30	-	SMS63	ISO 60.3	0.22	132040-77	132070-77
91	91.00	6.30	DN 65	SMS76	ISO 76.1	0.32	132040-91	132070-91
106	106.00	6.30	DN 80	-	ISO 88.9	0.49	132040-106	132070-106
119	119.00	7.90	DN 100	SMS101.6	-	0.61	132040-119	132070-119
130	130.00	7.90	-	-	ISO 114.3	0.73	132040-130	132070-130
155	155.00	7.90	DN 125	-	ISO 139.7	1.15	132040-155	132070-155
167	167.00	11.10	-	3A 6"	-	1.65	132040-167	132070-167
183	183.00	11.10	DN 150	-	ISO 168.3	1.86	132040-183	132070-183
217.7	217.70	11.10	-	3A 8"	-	2.70	132040-217	132070-217
233.5	233.50	11.10	DN 200	-	ISO 219.1	3.00	132040-233	132070-233

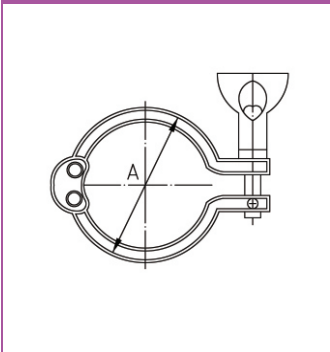


**SINGLE PIN CLAMP**



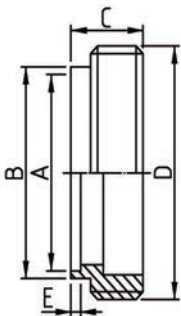
HEAD SIZE	A mm	B mm	DIN mm	SMS mm	ISO mm	kg	AISI 304/1.4301 Art.-Nr.	AISI 316L/1.4404 Art.-Nr.2
25	25.00		DN 6-8	-	ISO 10.2-17.2	0.10	133040-25	
34	34.00		DN 10-20	-	-	0.12	133040-34	
50.5	50.50		DN 25-40	SMS25-38	ISO 21.3-33.7	0.34	133040-50	
64	64.00		DN 50	SMS51	ISO 42.4-48.3	0.37	133040-64	
77.5	77.50		-	SMS63	ISO 60.3	0.43	133040-77	
91	91.00		DN 65	SMS76	ISO 76.1	0.49	133040-91	
106	106.00		DN 80	-	ISO 88.9	0.51	133040-106	
119	119.00		DN 100	SMS101.6	-	0.60	133040-119	
130	130.00		-	-	ISO 114.3	0.80	133040-130	
155	155.00		DN 125	-	ISO 139.7	1.10	133040-155	
167	167.00			3A 6"		1.30	133040-167	
183	183.00		DN 150	-	ISO 168.3	1.50	133040-183	
217.7	217.70			3A 8"		1.70	133040-217	
233.5	233.50		DN 200	-	ISO 219.1	2.00	133040-233	

**DOUBLE PIN CLAMP**



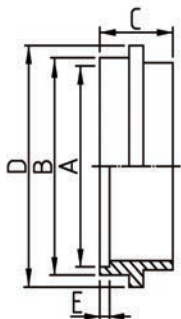
HEAD SIZE	A mm	B mm	DIN mm	SMS mm	ISO mm	kg	AISI 304/1.4301 Art.-Nr.	AISI 316L/1.4404 Art.-Nr.2
25	25.00		DN 6-8	-	ISO 10.2-17.2	0.10	134040-25	
34	34.00		DN 10-20	-	-	0.12	134040-34	
50.5	50.50		DN 25-40	SMS25-38	ISO 21.3-33.7	0.34	134040-50	
64	64.00		DN 50	SMS51	ISO 42.4-48.3	0.37	134040-64	
77.5	77.50		-	SMS63	ISO 60.3	0.43	134040-77	
91	91.00		DN 65	SMS76	ISO 76.1	0.49	134040-91	
106	106.00		DN 80	-	ISO 88.9	0.51	134040-106	
119	119.00		DN 100	SMS101.6	-	0.60	134040-119	
130	130.00		-	-	ISO 114.3	0.80	134040-130	
155	155.00		DN 125	-	ISO 139.7	1.10	134040-155	
167	167.00			3A 6"		1.30	134040-167	
183	183.00		DN 150	-	ISO 168.3	1.50	134040-183	
217.7	217.70			3A 8"		1.70	134040-217	
233.5	233.50		DN 200	-	ISO 219.1	2.00	134040-233	

**WELDING MALE PART MACON**



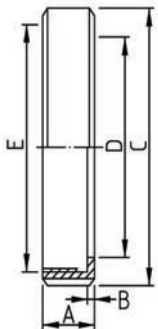
DN	A mm	B mm	C mm	D mm	E mm	kg	AISI 304/1.4301 Art.-Nr.	AISI 316L/1.4404 Art.-Nr.2
43	43.30	46.30	22.00	M55x3	3.00	0.11	101840-43	101870-43
53	53.30	56.30	22.00	M67x3	3.00	0.21	101840-53	101870-53
63	63.30	66.30	22.00	M79x3,5	3.00	0.27	101840-63	101870-63
73	73.30	76.30	22.00	M90x3,5	3.00	0.31	101840-73	101870-73
83	83.30	86.30	22.00	M102x4	3.00	0.42	101840-83	101870-83
103	104.20	108.00	22.00	M125x4	6.00	0.51	101840-103	101870-103

**WELDING LINER MACON**



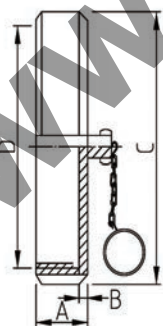
DN	A mm	B mm	C mm	D mm	E mm	kg	AISI 304/1.4301 Art.-Nr.	AISI 316L/1.4404 Art.-Nr.2
43	43.30	46.30	22.00	50.00	3.00	0.06	104840-43	104870-43
53	53.30	56.30	22.00	62.50	3.00	0.10	104840-53	104870-53
63	63.30	66.30	22.00	73.50	3.00	0.13	104840-63	104870-63
73	73.30	76.30	22.00	85.00	3.00	0.15	104840-73	104870-73
83	83.30	86.30	22.00	96.00	3.00	0.17	104840-83	104870-83
103	104.20	108.00	22.00	119.00	6.00	0.25	104840-103	104870-103

**NUT MACON**



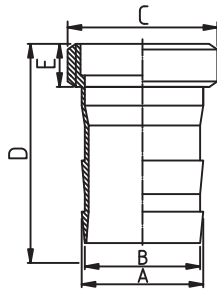
DN	A mm	B mm	C mm	D mm	E mm	kg	AISI 304/1.4301 Art.-Nr.	AISI 316L/1.4404 Art.-Nr.2
43	25.00	4.00	70.00	47.00	M55*P3.0	0.25	107840-43	
53	25.00	4.00	80.00	57.00	M67*P3.0	0.28	107840-53	
63	25.00	4.00	95.00	67.00	M79*P3.0	0.37	107840-63	
73	25.00	4.00	106.00	77.00	M90*P3.5	0.51	107840-73	
83	25.00	4.00	118.00	90.00	M102*P4.0	0.65	107840-83	
103	26.00	4.00	139.00	112.00	M125*P4.0	0.80	107840-103	

**BLIND NUT WITH BOSS AND CHAIN MACON**



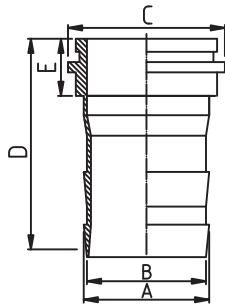
DN	A mm	B mm	C mm	D mm	E mm	kg	AISI 304/1.4301 Art.-Nr.	AISI 316L/1.4404 Art.-Nr.2
43	25.00	4.00	70.00	M55*P3.0		0.33	109840-43	
53	25.00	4.00	80.00	M67*P3.0		0.37	109840-53	
63	25.00	4.00	95.00	M79*P3.5		0.50	109840-63	
73	25.00	4.00	106.00	M90*P3.5		0.62	109840-73	
83	25.00	4.00	118.00	M102*P4.0		0.80	109840-83	
103	26.00	4.00	139.00	M125*P4.0		1.05	109840-103	

**MALE HOSE FITTING MACON**



DN	A mm	B mm	C mm	D mm	E mm	kg	AISI 304/1.4301 Art.-Nr.	AISI 316L/1.4404 Art.-Nr.2
43	43.60	40.00	84.00	M55x3		0.21	151840-43	151870-43
53	53.60	50.00	97.00	M67x3		0.26	151840-53	151870-53
63	63.50	59.90	115.00	M79x3,5		0.32	151840-63	151870-63
73	76.20	72.60	122.00	M90x3,5		0.42	151840-73	151870-73

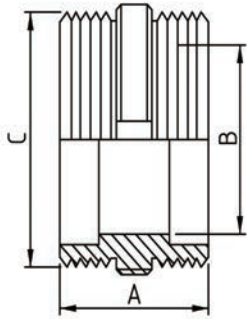
**LINER HOSE FITTING MACON**



DN	A mm	B mm	C mm	D mm	E mm	kg	AISI 304/1.4301 Art.-Nr.	AISI 316L/1.4404 Art.-Nr.2
43	43.60	40.00	84.00	50		0.12	152840-43	152870-43
53	53.60	50.00	97.00	62.5		0.17	152840-53	152870-53
63	63.50	59.90	115.00	73.5		0.20	152840-63	152870-63
73	76.20	72.60	122.00	85		0.30	152840-73	152870-73

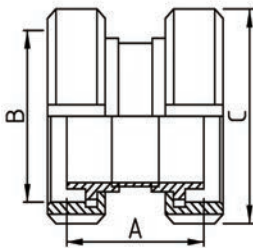
www.efitek-inox.com

**DOUBLE MALE FITTING MACON**



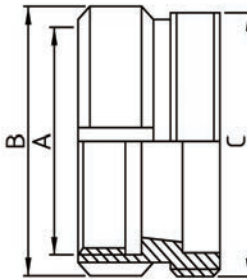
DN	A mm	B mm	C mm	D mm	E mm	kg	AISI 304/1.4301 Art.-Nr.	AISI 316L/1.4404 Art.-Nr.2
43	46.00	40.00	M55x3			0.22	112840-43	112870-43
53	46.00	50.00	M67x3			0.41	112840-53	112870-53
63	46.00	60.00	M79x3,5			0.54	112840-63	112870-63
73	46.00	70.00	M90x3,5			0.62	112840-73	112870-73

**DOUBLE FEMALE FITTING MACON**



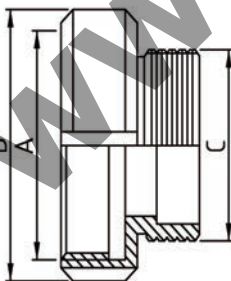
DN	A mm	B mm	C mm	D mm	E mm	kg	AISI 304/1.4301 Art.-Nr.	AISI 316L/1.4404 Art.-Nr.2
43	58.00	M55x3	70.00			0.62	113840-43	113870-43
53	58.00	M67x3	80.00			0.75	113840-53	113870-53
63	58.00	M79x3,5	95.00			0.99	113840-63	113870-63
73	58.00	M90x3,5	106.00			1.32	113840-73	113870-73

**REDUCER FITTING MALE/FEMALE MACON**



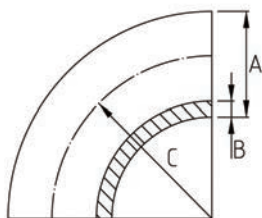
DN	A mm	B mm	C mm	D mm	E mm	kg	AISI 304/1.4301 Art.-Nr.	AISI 316L/1.4404 Art.-Nr.2
53/43	M55x3	80.00	M67x3			0.45	116840-5343	116870-5343
63/53	M67x3	95.00	M79x3,5			0.57	116840-6353	116870-6353
73/53	M67x3	106.00	M90x3,5			0.59	116840-7353	116870-7353
73/63	M79x3,5	106.00	M90x3,5			0.68	116840-7363	116870-7363

**REDUCER FITTING FEMALE/MALE MACON**

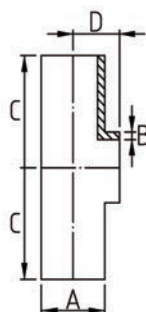


DN	A mm	B mm	C mm	D mm	E mm	kg	AISI 304/1.4301 Art.-Nr.	AISI 316L/1.4404 Art.-Nr.2
53/43	M67x3	80.00	M55x3			0.39	117840-5343	117870-5343
63/53	M79x3	95.00	M67x3			0.57	117840-6353	117870-6353
73/53	M90x3,5	106.00	M67x3			0.71	117840-7353	117870-7353
73/63	M90x3,5	106.00	M79x3,5			0.81	117840-7363	117870-7363

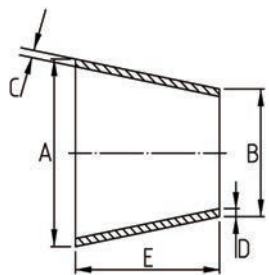


**90° WELDING BEND MAÇON**


DN	A mm	B mm	C mm	D mm	E mm	kg	AISI 304/1.4301 Art.-Nr.	AISI 316L/1.4404 Art.-Nr.2
43	43.00	1.50	60.00			0.11	301840-43	301870-43
53	53.00	1.50	70.00			0.17	301840-53	301870-53
63	63.50	1.50	95.25			0.31	301840-63	301870-63
73	73.00	2.00	95.00			0.56	301840-73	301870-73
83	84.00	2.00	120.00			0.75	301840-83	301870-83
103	104.00	2.00	150.00			1.30	301840-103	301870-103

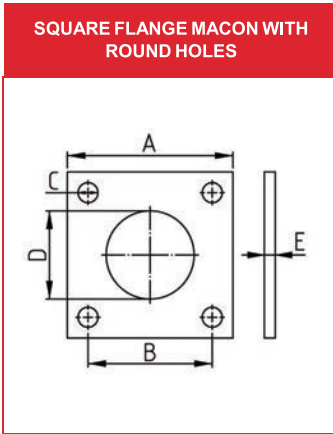
**WELDING SHORT TEE MAÇON**


DN	A mm	B mm	C mm	D mm	E mm	kg	AISI 304/1.4301 Art.-Nr.	AISI 316L/1.4404 Art.-Nr.2
43	43.00	1.50	47.50			0.14	331840-43	331870-43
53	53.00	1.50	57.00			0.21	331840-53	331870-53
63	63.50	1.50	63.50			0.27	331840-63	331870-63
73	73.00	2.00	76.00			0.38	331840-73	331870-73
83	84.00	2.00	85.50			0.64	331840-83	331870-83
103	104.00	2.00	105.00			0.96	331840-103	331870-103

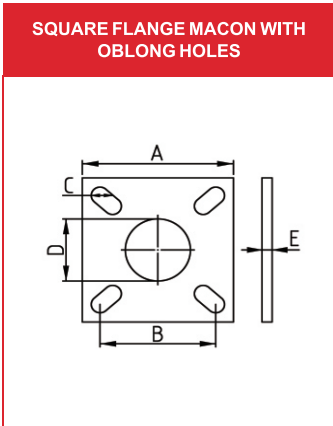
**CONCENTRIC REDUCER MAÇON**


DN	A mm	B mm	C mm	D mm	E mm	kg	AISI 304/1.4301 Art.-Nr.	AISI 316L/1.4404 Art.-Nr.2
53-43	53.00	43.00	1.50	1.50	30.00	0.06	341840-5343	341870-5343
63-43	63.00	43.00	1.50	1.50	60.00	0.13	341840-6343	341870-6343
63-53	63.00	53.00	1.50	1.50	30.00	0.07	341840-6353	341870-6353
73-43	73.00	43.00	1.50	1.50	90.00	0.38	341840-7343	341870-7343
73-53	73.00	53.00	1.50	1.50	60.00	0.20	341840-7353	341870-7353
73-63	73.00	63.00	1.50	1.50	30.00	0.11	341840-7363	341870-7363
83-53	84.00	53.00	2.00	1.50	90.00	0.32	341840-8353	341870-8353
83-63	84.00	63.00	2.00	1.50	60.00	0.23	341840-8363	341870-8363
84-73	84.00	73.00	2.00	2.00	30.00	0.17	341840-8373	341870-8373
104-73	104.00	73.00	2.00	2.00	90.00	0.41	341840-10473	341870-10473
104-84	104.00	84.00	2.00	2.00	60.00	0.29	341840-10484	341870-10484

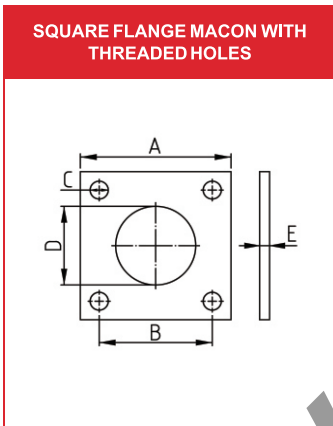
WWW.EFITEKINOX.COM



DN	A mm	B mm	C mm	D mm	E mm	kg	AISI 304/1.4301 Art.-Nr.	AISI 316L/1.4404 Art.-Nr.2
43	100.00	75.00	11.00	43.00	6.00	0.43	209840-43	209870-43
53	100.00	75.00	11.00	53.00	6.00	0.41	209840-53	209870-53
63	120.00	82.00	13.00	63.00	8.00	0.74	209840-63	209870-63
73	120.00	90.00	13.00	73.00	8.00	0.70	209840-73	209870-73
83	140.00	102.00	13.00	83.00	8.00	0.93	209840-83	209870-83
103	140.00	102.00	13.00	103.00	8.00	0.75	209840-103	209870-103



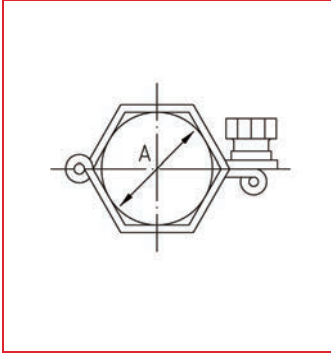
DN	A mm	B mm	C mm	D mm	E mm	kg	AISI 304/1.4301 Art.-Nr.	AISI 316L/1.4404 Art.-Nr.2
43	100.00	60-75	13.00	43.00	6.00	0.43	207840-43	207870-43
53	100.00	60-75	13.00	53.00	6.00	0.41	207840-53	207870-53
63	120.00	70-82	13.00	63.00	8.00	0.74	207840-63	207870-63
73	120.00	82-90	13.00	73.00	8.00	0.70	207840-73	207870-73
83	140.00	90-102	13.00	83.00	8.00	0.93	207840-83	207870-83
103	140.00	90-102	13.00	103.00	8.00	0.75	207840-103	207870-103



DN	A mm	B mm	C mm	D mm	E mm	kg	AISI 304/1.4301 Art.-Nr.	AISI 316L/1.4404 Art.-Nr.2
43	100.00	75.00	M10	43.00	8.00	0.55	208840-43	208870-43
53	100.00	75.00	M10	53.00	8.00	0.53	208840-53	208870-53
63	120.00	82.00	M12	63.00	10.00	0.92	208840-63	208870-63
73	120.00	90.00	M12	73.00	10.00	0.88	208840-73	208870-73
83	140.00	102.00	M12	83.00	10.00	1.16	208840-83	208870-83
103	140.00	102.00	M12	103.00	10.00	0.95	208840-103	208870-103

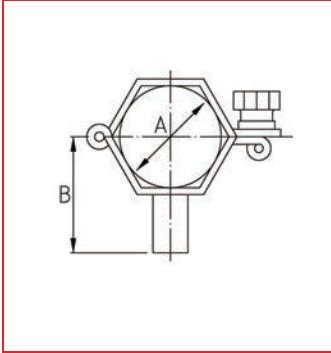
www.efitekinox.com

**HEXAGONAL PIPE HANGER WITHOUT SHANK MACON**



DN	A mm	B mm	C mm	D mm	E mm	kg	AISI 304/1.4301 Art.-Nr.	AISI 316L/1.4404 Art.-Nr.2
43	43.00					0.09	363840-43	
53	53.00					0.11	363840-53	
63	63.50					0.13	363840-63	
73	73.00					0.16	363840-73	
83	83.00					0.17	363840-83	
103	104.00					0.22	363840-103	

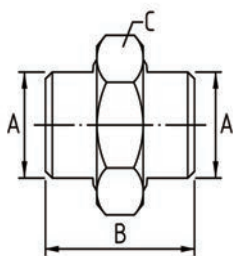
**HEXAGONAL PIPE HANGER WITH SHANK MACON**



DN	A mm	B mm	C mm	D mm	E mm	kg	AISI 304/1.4301 Art.-Nr.	AISI 316L/1.4404 Art.-Nr.2
43	43.00	100.00				0.14	364840-43	
53	53.00	100.00				0.16	364840-53	
63	63.50	100.00				0.18	364840-63	
73	73.00	100.00				0.20	364840-73	
83	83.00	100.00				0.21	364840-83	
103	104.00	100.00				0.25	364840-103	

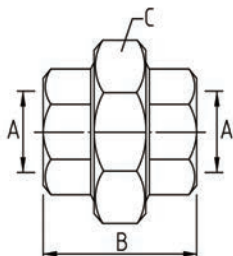
www.efitek-inox.com

### UNION CONICAL BUTT WELD / BUTT WELD



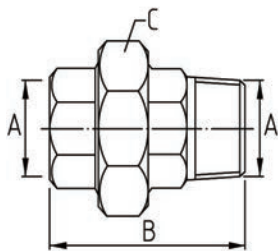
DN	A mm	B mm	C mm	D mm	E mm	kg	AISI 304/1.4301 Art.-Nr.	AISI 316/1.4408 Art.-Nr.2
6	10.20	26-33	26.00			0.05	111340-10	111360-10
8	13.50	33-36	29.00			0.08	111340-13	111360-13
10	17.20	34-38	34.00			0.11	111340-17	111360-17
15	21.30	40-44	37.00			0.18	111340-21	111360-21
20	26.90	42-51	44.00			0.23	111340-26	111360-26
25	33.70	48-50	52.50			0.33	111340-33	111360-33
32	42.40	55-59	63.00			0.64	111340-42	111360-42
40	48.30	48-64	70.00			0.67	111340-48	111360-48
50	60.30	60-69	84.00			1.35	111340-60	111360-60
65	76.10	71-76	101.50			1.50	111340-76	111360-76
80	88.90	77-84	118.00			2.00	111340-88	111360-88
100	114.30	92-99	148.50			4.00	111340-114	111360-114

### UNION CONICAL FEMALE / FEMALE BSP



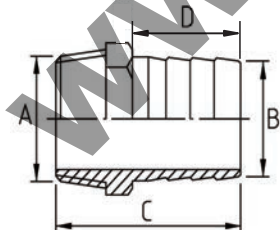
DN	A mm	B mm	C mm	D mm	E mm	kg	AISI 304/1.4301 Art.-Nr.	AISI 316/1.4408 Art.-Nr.2
6	1/8"	29-33	26.00			0.06	113340-10	113360-10
8	1/4"	33-38	29.00			0.09	113340-13	113360-13
10	3/8"	34-38	34.00			0.12	113340-17	113360-17
15	1/2"	39-40	37.00			0.14	113340-21	113360-21
20	3/4"	42-51	44.00			0.19	113340-26	113360-26
25	1"	48-50	52.50			0.29	113340-33	113360-33
32	1 1/4"	54-59	63.00			0.47	113340-42	113360-42
40	1 1/2"	58-65	70.00			0.79	113340-48	113360-48
50	2"	63-69	84.00			1.05	113340-60	113360-60
65	2 1/2"	71-80	101.50			1.50	113340-76	113360-76
80	3"	79-88	118.00			2.00	113340-88	113360-88
100	4"	92-110	148.50			4.00	113340-114	113360-114

### UNION CONICAL MALE / FEMALE BSP

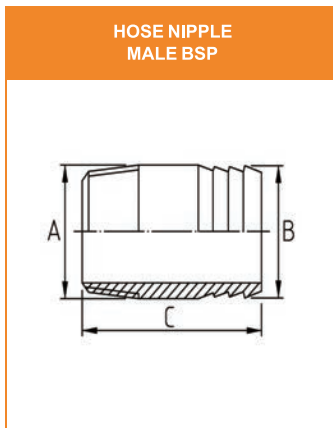


DN	A mm	B mm	C mm	D mm	E mm	kg	AISI 304/1.4301 Art.-Nr.	AISI 316/1.4408 Art.-Nr.2
6	1/8"	38-40	26.00			0.07	116340-10	116360-10
8	1/4"	42-50	29.00			0.10	116340-13	116360-13
10	3/8"	45-50	34.00			0.13	116340-17	116360-17
15	1/2"	53-57	37.00			0.15	116340-21	116360-21
20	3/4"	56-67	44.00			0.20	116340-26	116360-26
25	1"	66-69	52.50			0.32	116340-33	116360-33
32	1 1/4"	74-83	63.00			0.52	116340-42	116360-42
40	1 1/2"	78-86	70.00			0.87	116340-48	116360-48
50	2"	83-94	84.00			1.16	116340-60	116360-60
65	2 1/2"	92-114	101.50			1.65	116340-76	116360-76
80	3"	102-127	118.00			2.20	116340-88	116360-88
100	4"	114-154	148.50			4.40	116340-114	116360-114

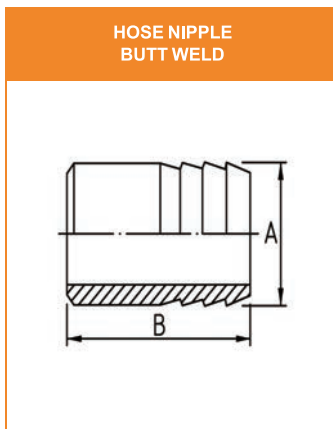
### HEXAGONAL HOSE NIPPLE MALE BSP



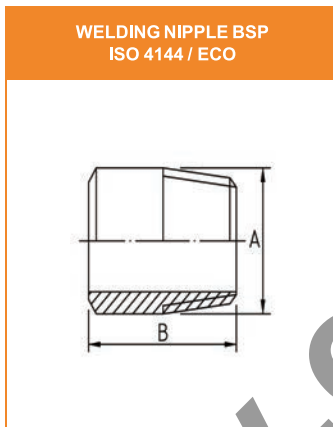
DN	A mm	B mm	C mm	D mm	E mm	kg	AISI 304/1.4301 Art.-Nr.	AISI 316/1.4408 Art.-Nr.2
6	1/8"	8.00	33-45	13.00		0.03	155340-10	155360-10
8	1/4"	9.00	41-47	17.00		0.40	155340-13	155360-13
10	3/8"	11.50	44-55	20.00		0.50	155340-17	155360-17
15	1/2"	15.00	49-64	25.00		0.09	155340-21	155360-21
20	3/4"	20.00	59-68	32.00		0.13	155340-26	155360-26
25	1"	27.00	69-76	38.00		0.20	155340-33	155360-33
32	1 1/4"	33.00	74-80	46.00		0.30	155340-42	155360-42
40	1 1/2"	39.50	79-95	52.00		0.38	155340-48	155360-48
50	2"	52.00	89-105	63.00		0.58	155340-60	155360-60



DN	A mm	B mm	C mm	D mm	E mm	kg	AISI 304/1.4301 Art.-Nr.	AISI 316L/1.4404 Art.-Nr.2
8	1/4"	13.00	49.00			0.02	154340-13	154370-13
10	3/8"	16.00	55.00			0.03	154340-17	154370-17
15	1/2"	20.00	63.00			0.05	154340-21	154370-21
20	3/4"	25.50	72.00			0.07	154340-26	154370-26
25	1"	32.40	82.00			0.12	154340-33	154370-33
32	1"1/4	41.00	83.00			0.14	154340-42	154370-42
40	1"1/2	47.00	87.00			0.18	154340-48	154370-48
50	2"	59.00	96.00			0.21	154340-60	154370-60
65	2"1/2	71.50	103.00			0.50	154340-76	154370-76
80	3"	87.40	111.00			1.10	154340-88	154370-88
100	4"	112.80	123.00			1.89	154340-114	154370-114



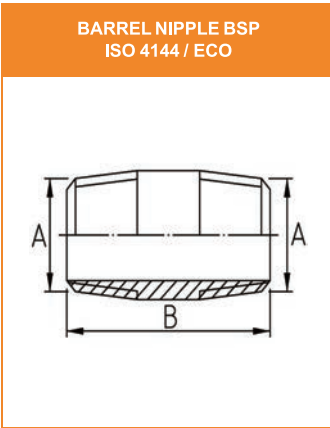
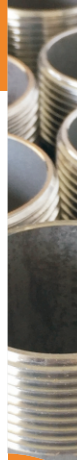
DN	A mm	B mm	C mm	D mm	E mm	kg	AISI 304/1.4301 Art.-Nr.	AISI 316L/1.4404 Art.-Nr.2
6	9.00	36.00				0.01	153340-10	153370-10
8	13.00	38.00				0.02	153340-13	153370-13
10	16.00	43.00				0.03	153340-17	153370-17
15	20.00	48.00				0.04	153340-21	153370-21
20	25.50	55.00				0.09	153340-26	153370-26
25	32.40	62.00				0.13	153340-33	153370-33
32	41.00	62.00				0.17	153340-42	153370-42
40	47.00	66.00				0.21	153340-48	153370-48
50	59.00	70.00				0.26	153340-60	153370-60
65	71.50	75.00				0.44	153340-76	153370-76
80	87.40	80.00				0.98	153340-88	153370-88
100	112.80	83.00				1.48	153340-114	153370-114



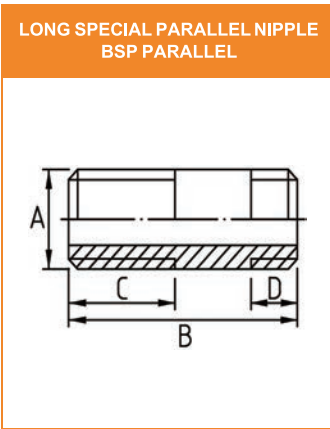
DN	A mm	B mm	C mm	D mm	E mm	kg	AISI 304/1.4301 Art.-Nr.	AISI 316L/1.4404 Art.-Nr.2
6	1/8"	20.00	ECO			0.01	401740-10	401770-10
6	1/8"	30.00	ISO 4144			0.02	401340-10	401370-10
8	1/4"	22.00	ECO			0.01	401740-13	401770-13
8	1/4"	30.00	ISO 4144			0.02	401340-13	401370-13
10	3/8"	23.00	ECO			0.02	401740-17	401770-17
10	3/8"	30.00	ISO 4144			0.02	401340-17	401370-17
15	1/2"	25.00	ECO			0.03	401740-21	401770-21
15	1/2"	35.00	ISO 4144			0.04	401340-21	401370-21
20	3/4"	30.00	ECO			0.04	401740-26	401770-26
20	3/4"	40.00	ISO 4144			0.05	401340-26	401370-26
25	1"	32.00	ECO			0.06	401740-33	401770-33
25	1"	40.00	ISO 4144			0.08	401340-33	401370-33
32	1"1/4	33.00	ECO			0.08	401740-42	401770-42
32	1"1/4	50.00	ISO 4144			0.12	401340-42	401370-42
40	1"1/2	35.00	ECO			0.10	401740-48	401770-48
40	1"1/2	50.00	ISO 4144			0.14	401340-48	401370-48
50	2"	40.00	ECO			0.15	401740-60	401770-60
50	2"	50.00	ISO 4144			0.19	401340-60	401370-60
65	2"1/2	45.00	ECO			0.21	401740-76	401770-76
65	2"1/2	60.00	ISO 4144			0.23	401340-76	401370-76
80	3"	55.00	ECO			0.48	401740-88	401770-88
80	3"	70.00	ISO 4144			0.52	401340-88	401370-88
100	4"	60.00	ECO			0.70	401740-114	401770-114
100	4"	80.00	ISO 4144			0.82	401340-114	401370-114

WWW.EFITEKINOX.COM

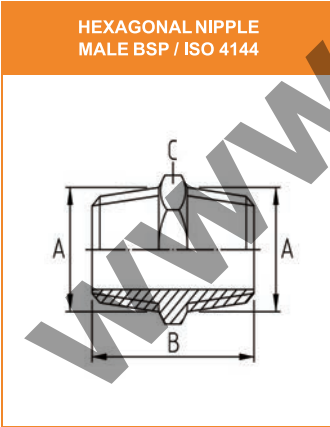




DN	A mm	B mm	C mm	D mm	E mm	kg	AISI 304/1.4301 Art.-Nr.	AISI 316L/1.4404 Art.-Nr.2
6	1/8"	30.00	ECO			0.01	402740-10	402770-10
6	1/8"	40.00	ISO 4144			0.01	402340-10	402370-10
8	1/4"	30.00	ECO			0.02	402740-13	402770-13
8	1/4"	40.00	ISO 4144			0.03	402340-13	402370-13
10	3/8"	35.00	ECO			0.02	402740-17	402770-17
10	3/8"	40.00	ISO 4144			0.03	402340-17	402370-17
15	1/2"	42.00	ECO			0.04	402740-21	402770-21
15	1/2"	60.00	ISO 4144			0.06	402340-21	402370-21
20	3/4"	46.00	ECO			0.05	402740-26	402770-26
20	3/4"	60.00	ISO 4144			0.07	402340-26	402370-26
25	1"	55.00	ECO			0.10	402740-33	402770-33
25	1"	60.00	ISO 4144			0.11	402340-33	402370-33
32	1 1/4"	58.00	ECO			0.14	402740-42	402770-42
32	1 1/4"	80.00	ISO 4144			0.19	402340-42	402370-42
40	1 1/2"	60.00	ECO			0.15	402740-48	402770-48
40	1 1/2"	80.00	ISO 4144			0.20	402340-48	402370-48
50	2"	70.00	ECO			0.27	402740-60	402770-60
50	2"	100.00	ISO 4144			0.39	402340-60	402370-60
65	2 1/2"	80.00	ECO			0.36	402740-76	402770-76
65	2 1/2"	100.00	ISO 4144			0.45	402340-76	402370-76
80	3"	85.00	ECO			0.91	402740-88	402770-88
80	3"	120.00	ISO 4144			1.28	402340-88	402370-88
100	4"	120.00	ECO			1.48	402740-114	402770-114
100	4"	150.00	ISO 4144			1.85	402340-114	402370-114

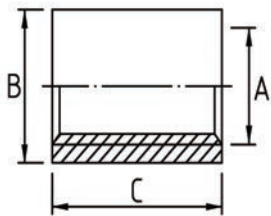


DN	A mm	B mm	C mm	D mm	E mm	kg	AISI 304/1.4301 Art.-Nr.	AISI 316L/1.4404 Art.-Nr.2
6	1/8"	80.00	38.00	7.00		0.03	415340-10	415370-10
8	1/4"	80.00	38.00	7.00		0.04	415340-13	415370-13
10	3/8"	90.00	40.00	8.00		0.06	415340-17	415370-17
15	1/2"	110.00	40.00	9.00		0.09	415340-21	415370-21
20	3/4"	110.00	45.00	10.50		0.13	415340-26	415370-26
25	1"	130.00	50.00	11.00		0.24	415340-33	415370-33
32	1 1/4"	130.00	55.00	13.00		0.34	415340-42	415370-42
40	1 1/2"	150.00	60.00	15.00		0.46	415340-48	415370-48
50	2"	150.00	65.00	17.00		0.61	415340-60	415370-60
65	2 1/2"	170.00	75.00	19.50		1.03	415340-76	415370-76
80	3"	180.00	85.00	22.00		1.23	415340-88	415370-88
100	4"	180.00	85.00	22.00		1.85	415340-114	415370-114



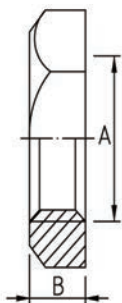
DN	A mm	B mm	C mm	D mm	E mm	kg	AISI 304/1.4301 Art.-Nr.	AISI 316/1.4408 Art.-Nr.2
6	1/8"	20.00	11.00			0.01	403340-10	403360-10
8	1/4"	25.00	14.50			0.02	403340-13	403360-13
10	3/8"	27.00	18.50			0.04	403340-17	403360-17
15	1/2"	34.00	22.50			0.06	403340-21	403360-21
20	3/4"	36.50	28.00			0.09	403340-26	403360-26
25	1"	42.00	34.00			0.12	403340-33	403360-33
32	1 1/4"	47.50	44.00			0.23	403340-42	403360-42
40	1 1/2"	47.50	50.00			0.26	403340-48	403360-48
50	2"	57.00	62.00			0.40	403340-60	403360-60
65	2 1/2"	61.00	78.00			0.70	403340-76	403360-76
80	3"	67.50	90.50			0.90	403340-88	403360-88
100	4"	80.00	116.50			1.50	403340-114	403360-114

**SOCKET COUPLING  
FEMALE BSP / ISO 4144**



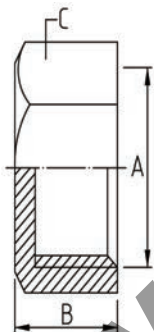
DN	A mm	B mm	C mm	D mm	E mm	kg	AISI 304/1.4301 Art.-Nr.	AISI 316L/1.4404 Art.-Nr.2
6	1/8"	13.00	17.00			0.02	404340-10	404370-10
8	1/4"	16.50	24.00			0.02	404340-13	404370-13
10	3/8"	20.00	25.00			0.04	404340-17	404370-17
15	1/2"	24.50	32.00			0.07	404340-21	404370-21
20	3/4"	30.00	35.00			0.09	404340-26	404370-26
25	1"	37.50	41.00			0.15	404340-33	404370-33
32	1"1/4	46.50	45.00			0.20	404340-42	404370-42
40	1"1/2	53.00	45.00			0.23	404340-48	404370-48
50	2"	65.50	54.00			0.34	404340-60	404370-60
65	2"1/2	82.00	63.00			0.53	404340-76	404370-76
80	3"	95.50	69.00			0.66	404340-88	404370-88
100	4"	121.50	81.00			1.17	404340-114	404370-114

**HEXAGONAL NUT  
BSP / ISO 4144**



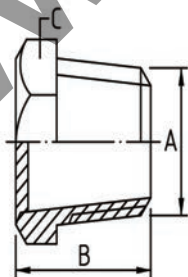
DN	A mm	B mm	C mm	D mm	E mm	kg	AISI 304/1.4301 Art.-Nr.	AISI 316/1.4408 Art.-Nr.2
6	1/8"	5.00				0.01	405340-10	405360-10
8	1/4"	6.00				0.02	405340-13	405360-13
10	3/8"	6.00				0.02	405340-17	405360-17
15	1/2"	7.00				0.03	405340-21	405360-21
20	3/4"	7.00				0.04	405340-26	405360-26
25	1"	9.00				0.06	405340-33	405360-33
32	1"1/4	11.00				0.13	405340-42	405360-42
40	1"1/2	11.00				0.14	405340-48	405360-48
50	2"	13.00				0.23	405340-60	405360-60
65	2"1/2	15.00				0.42	405340-76	405360-76
80	3"	17.00				0.48	405340-88	405360-88
100	4"	20.00				0.54	405340-114	405360-114

**HEXAGONAL FEMALE CAP  
BSP / ISO 4144**



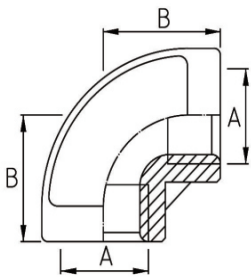
DN	A mm	B mm	C mm	D mm	E mm	kg	AISI 304/1.4301 Art.-Nr.	AISI 316/1.4408 Art.-Nr.2
6	1/8"	13.50	13.50			0.01	406340-10	406360-10
8	1/4"	17.00	17.00			0.02	406340-13	406360-13
10	3/8"	17.50	20.50			0.03	406340-17	406360-17
15	1/2"	21.00	25.00			0.04	406340-21	406360-21
20	3/4"	22.50	31.00			0.05	406340-26	406360-26
25	1"	26.00	38.00			0.09	406340-33	406360-33
32	1"1/4	29.00	47.00			0.17	406340-42	406360-42
40	1"1/2	29.00	53.00			0.21	406340-48	406360-48
50	2"	33.50	66.00			0.28	406340-60	406360-60
65	2"1/2	38.50	82.00			0.51	406340-76	406360-76
80	3"	42.00	95.50			0.86	406340-88	406360-88
100	4"	48.50	121.50			1.00	406340-114	406360-114

**HEXAGONAL MALE PLUG  
BSP / ISO 4144**



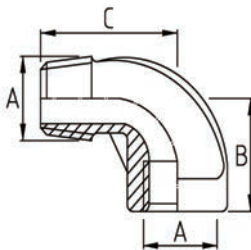
DN	A mm	B mm	C mm	D mm	E mm	kg	AISI 304/1.4301 Art.-Nr.	AISI 316/1.4408 Art.-Nr.2
6	1/8"	12.00	11.00			0.01	407340-10	407360-10
8	1/4"	14.50	15.00			0.02	407340-13	407360-13
10	3/8"	16.00	18.00			0.02	407340-17	407360-17
15	1/2"	19.50	22.00			0.04	407340-21	407360-21
20	3/4"	21.00	28.00			0.06	407340-26	407360-26
25	1"	24.00	35.00			0.10	407340-33	407360-33
32	1"1/4	27.00	43.50			0.18	407340-42	407360-42
40	1"1/2	27.00	49.50			0.25	407340-48	407360-48
50	2"	32.00	62.00			0.40	407340-60	407360-60
65	2"1/2	34.00	77.50			1.00	407340-76	407360-76
80	3"	37.50	90.50			1.50	407340-88	407360-88
100	4"	44.00	117.00			2.50	407340-114	407360-114

**FEMALE/FEMALE 90° ELBOW**  
BSP / ISO 4144



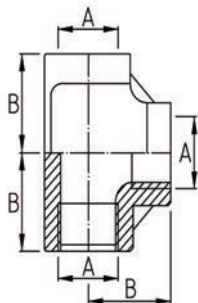
DN	A mm	B mm	C mm	D mm	E mm	kg	AISI 304/1.4301 Art.-Nr.	AISI 316/1.4408 Art.-Nr.2
6	1/8"	17.00				0.04	408340-10	408360-10
8	1/4"	19.00				0.06	408340-13	408360-13
10	3/8"	23.00				0.07	408340-17	408360-17
15	1/2"	27.00				0.10	408340-21	408360-21
20	3/4"	32.00				0.16	408340-26	408360-26
25	1"	38.00				0.26	408340-33	408360-33
32	1 1/4"	45.00				0.51	408340-42	408360-42
40	1 1/2"	48.00				0.55	408340-48	408360-48
50	2"	57.00				0.80	408340-60	408360-60
65	2 1/2"	69.00				1.10	408340-76	408360-76
80	3"	78.00				1.58	408340-88	408360-88
100	4"	96.00				1.98	408340-114	408360-114

**MALE/FEMALE 90° STREET ELBOW**  
BSP / ISO 4144



DN	A mm	B mm	C mm	D mm	E mm	kg	AISI 304/1.4301 Art.-Nr.	AISI 316/1.4408 Art.-Nr.2
6	1/8"	17.00	26.00			0.03	409340-10	409360-10
8	1/4"	19.00	27.00			0.05	409340-13	409360-13
10	3/8"	23.00	29.00			0.07	409340-17	409360-17
15	1/2"	27.00	35.00			0.11	409340-21	409360-21
20	3/4"	32.00	40.00			0.20	409340-26	409360-26
25	1"	38.00	46.00			0.27	409340-33	409360-33
32	1 1/4"	45.00	54.00			0.47	409340-42	409360-42
40	1 1/2"	48.00	57.00			0.57	409340-48	409360-48
50	2"	57.00	70.00			0.98	409340-60	409360-60
65	2 1/2"	69.00	83.00			1.20	409340-76	409360-76
80	3"	78.00	94.00			1.40	409340-88	409360-88
100	4"	97.00	115.00			3.98	409340-114	409360-114

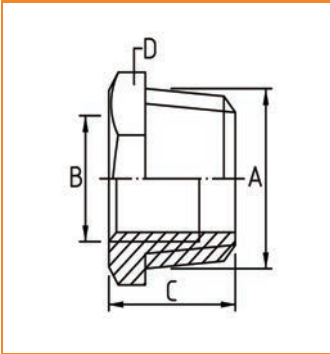
**FEMALE TEE**  
BSP / ISO 4144



DN	A mm	B mm	C mm	D mm	E mm	kg	AISI 304/1.4301 Art.-Nr.	AISI 316/1.4408 Art.-Nr.2
6	1/8"	17.00				0.04	410340-10	410360-10
8	1/4"	19.00				0.05	410340-13	410360-13
10	3/8"	23.00				0.07	410340-17	410360-17
15	1/2"	27.00				0.12	410340-21	410360-21
20	3/4"	32.00				0.17	410340-26	410360-26
25	1"	38.00				0.26	410340-33	410360-33
32	1 1/4"	45.00				0.34	410340-42	410360-42
40	1 1/2"	48.00				0.43	410340-48	410360-48
50	2"	57.00				0.67	410340-60	410360-60
65	2 1/2"	69.00				1.21	410340-76	410360-76
80	3"	78.00				2.92	410340-88	410360-88
100	4"	96.00				4.76	410340-114	410360-114

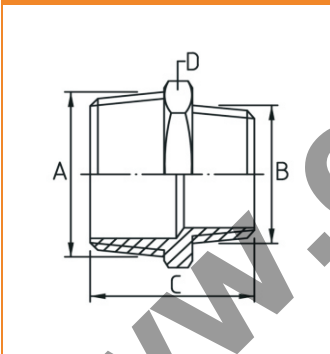
WWW.EFITEKINOX.COM

**BUSHING MALE/FEMALE REDUCER**  
BSP / ISO 4144



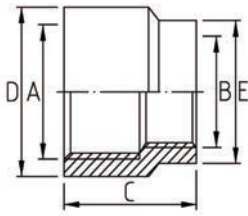
DN	A mm	B mm	C mm	D mm	E mm	kg	AISI 304/1.4301 Art.-Nr.	AISI 316/1.4408 Art.-Nr.2
8-6	1/4"	1/8"	14.50	14.50		0.01	411340-1310	411360-1310
10-6	3/8"	1/8"	16.00	18.50		0.02	411340-1710	411360-1710
10-8	3/8"	1/4"	16.00	18.50		0.02	411340-1713	411360-1713
15-6	1/2"	1/8"	19.50	22.50		0.05	411340-2110	411360-2110
15-8	1/2"	1/4"	19.50	22.50		0.04	411340-2113	411360-2113
15-10	1/2"	3/8"	19.50	22.50		0.03	411340-2117	411360-2117
20-8	3/4"	1/4"	21.00	28.00		0.07	411340-2613	411360-2613
20-10	3/4"	3/8"	21.00	28.00		0.06	411340-2617	411360-2617
20-15	3/4"	1/2"	21.00	28.00		0.04	411340-2621	411360-2621
25-8	1"	1/4"	24.00	35.00		0.22	411340-3313	411360-3313
25-10	1"	3/8"	24.00	35.00		0.14	411340-3317	411360-3317
25-15	1"	1/2"	24.00	35.00		0.12	411340-3321	411360-3321
25-20	1"	3/4"	24.00	35.00		0.07	411340-3326	411360-3326
32-15	1"1/4	1/2"	27.00	44.00		0.20	411340-4221	411360-4221
32-20	1"1/4	3/4"	27.00	44.00		0.17	411340-4226	411360-4226
32-25	1"1/4	1"	27.00	44.00		0.15	411340-4233	411360-4233
40-15	1"1/2	1/2"	27.00	49.50		0.30	411340-4821	411360-4821
40-20	1"1/2	3/4"	27.00	49.50		0.29	411340-4826	411360-4826
40-25	1"1/2	1"	27.00	49.50		0.28	411340-4833	411360-4833
40-32	1"1/2	1"1/4	27.00	49.50		0.27	411340-4842	411360-4842
50-15	2"	1/2"	32.00	61.50		0.34	411340-6021	411360-6021
50-20	2"	3/4"	32.00	61.50		0.33	411340-6026	411360-6026
50-25	2"	1"	32.00	61.50		0.32	411340-6033	411360-6033
50-32	2"	1"1/4	32.00	61.50		0.31	411340-6042	411360-6042
50-40	2"	1"1/2	32.00	61.50		0.30	411340-6048	411360-6048
65-40	2"1/2	1"1/2	34.00	77.50		1.15	411340-7648	411360-7648
65-50	2"1/2	2"	34.00	77.50		1.00	411340-7660	411360-7660
80-50	3"	2"	37.50	90.50		1.40	411340-8860	411360-8860
80-65	3"	2"1/2	37.50	90.50		1.30	411340-8876	411360-8876
100-65	4"	2"1/2	44.00	116.50		2.30	411340-11476	411360-11476
100-80	4"	3"	44.00	116.50		2.20	411340-11488	411360-11488

**MALE/MALE REDUCER NIPPLE**  
BSP / ISO 4144



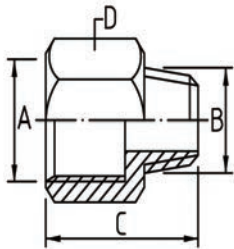
DN	A mm	B mm	C mm	D mm	E mm	kg	AISI 304/1.4301 Art.-Nr.	AISI 316/1.4408 Art.-Nr.2
8-6	1/4"	1/8"	22.50	14.50		0.01	412340-1310	412360-1310
10-6	3/8"	1/8"	24.00	18.50		0.04	412340-1710	412360-1710
10-8	3/8"	1/4"	27.50	18.50		0.03	412340-1713	412360-1713
15-8	1/2"	1/4"	30.00	22.50		0.05	412340-2113	412360-2113
15-10	1/2"	3/8"	30.50	22.50		0.04	412340-2117	412360-2117
20-10	3/4"	3/8"	32.00	28.00		0.60	412340-2617	412360-2617
20-15	3/4"	1/2"	35.50	28.00		0.50	412340-2621	412360-2621
25-10	1"	3/8"	35.00	35.00		0.16	412340-3317	412360-3317
25-15	1"	1/2"	38.50	35.00		0.15	412340-3321	412360-3321
25-20	1"	3/4"	39.50	35.00		0.14	412340-3326	412360-3326
32-20	1"1/4	3/4"	42.50	44.00		0.27	412340-4226	412360-4226
32-25	1"1/4	1"	45.00	44.00		0.25	412340-4233	412360-4233
40-25	1"1/2	1"	45.00	49.50		0.31	412340-4833	412360-4833
40-32	1"1/2	1"1/4	47.50	49.50		0.29	412340-4842	412360-4842
50-25	2"	1"	50.00	61.50		0.56	412340-6033	412360-6033
50-32	2"	1"1/4	52.50	61.50		0.54	412340-6042	412360-6042
50-40	2"	1"1/2	53.00	61.50		0.52	412340-6048	412360-6048
65-40	2"1/2	1"1/2	55.00	77.50		1.25	412340-7648	412360-7648
65-50	2"1/2	2"	59.00	77.50		1.23	412340-7660	412360-7660
80-50	3"	2"	62.50	90.50		1.65	412340-8860	412360-8860
80-65	3"	2"1/2	64.50	90.50		1.50	412340-8876	412360-8876
100-65	4"	2"1/2	71.00	116.50		2.30	412340-11476	412360-11476
100-80	4"	3"	74.00	116.50		2.10	412340-11488	412360-11488

**REDUCER SOCKET FEMALE/FEMALE**  
BSP / ISO 4144



DN	A mm	B mm	C mm	D mm	E mm	kg	AISI 304/1.4301 Art.-Nr.	AISI 316/1.4408 Art.-Nr.2
8-6	1/4"	1/8"	25.00	16.50	13.00	0.02	413340-1310	413360-1310
12-6	3/8"	1/8"	26.00	20.00	13.00	0.04	413340-1710	413360-1710
12-8	3/8"	1/4"	26.00	20.00	16.50	0.05	413340-1713	413360-1713
15-8	1/2"	1/4"	34.00	24.50	16.50	0.07	413340-2113	413360-2113
15-12	1/2"	3/8"	34.00	24.50	20.00	0.08	413340-2117	413360-2117
20-8	3/4"	1/4"	36.00	30.00	16.50	0.10	413340-2613	413360-2613
20-12	3/4"	3/8"	36.00	30.00	20.00	0.11	413340-2617	413360-2617
20-15	3/4"	1/2"	36.00	30.00	24.50	0.12	413340-2621	413360-2621
25-15	1"	1/2"	42.00	37.50	24.50	0.15	413340-3321	413360-3321
25-20	1"	3/4"	42.00	37.50	30.00	0.16	413340-3326	413360-3326
32-20	1"1/4	3/4"	48.00	46.50	30.00	0.19	413340-4226	413360-4226
32-25	1"1/4	1"	48.00	46.50	37.50	0.20	413340-4233	413360-4233
40-20	1"1/2	3/4"	52.00	53.00	30.00	0.25	413340-4826	413360-4826
40-25	1"1/2	1"	52.00	53.00	37.50	0.26	413340-4833	413360-4833
40-32	1"1/2	1"1/4	52.00	53.00	46.50	0.27	413340-4842	413360-4842
50-32	2"	1"1/4	58.00	65.50	46.50	0.32	413340-6042	413360-6042
50-40	2"	1"1/2	58.00	65.50	53.00	0.33	413340-6048	413360-6048
65-40	2"1/2	1"1/2	65.00	81.50	53.00	0.79	413340-7648	413360-7648
65-50	2"1/2	2"	65.00	81.50	65.50	0.78	413340-7660	413360-7660
80-50	3"	2"	72.00	95.50	65.50	1.05	413340-8860	413360-8860
80-65	3"	2"1/2	72.00	95.50	82.00	1.07	413340-8876	413360-8876
100-65	4"	2"1/2	94.00	121.50	82.00	1.64	413340-11476	413360-11476
100-80	4"	3"	94.00	121.50	95.50	1.70	413340-11488	413360-11488

**REDUCER SOCKET FEMALE/MALE**  
BSP / ISO 4144



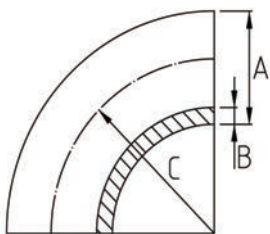
DN	A mm	B mm	C mm	D mm	E mm	kg	AISI 304/1.4301 Art.-Nr.	AISI 316/1.4408 Art.-Nr.2
8-6	1/4"	1/8"	25.00	17.00		0.03	414340-1310	414360-1310
10-8	3/8"	1/4"	28.00	20.50		0.04	414340-1713	414360-1713
15-8	1/2"	1/4"	31.50	25.00		0.05	414340-2113	414360-2113
15-10	1/2"	3/8"	32.00	25.00		0.05	414340-2117	414360-2117
20-10	3/4"	3/8"	33.50	31.00		0.07	414340-2617	414360-2617
20-15	3/4"	1/2"	37.00	31.00		0.08	414340-2621	414360-2621
25-15	1"	1/2"	40.50	38.00		0.12	414340-3321	414360-3321
25-20	1"	3/4"	41.50	38.00		0.13	414340-3326	414360-3326
32-20	1"1/4	3/4"	44.50	47.00		0.22	414340-4226	414360-4226
32-25	1"1/4	1"	47.00	47.00		0.23	414340-4233	414360-4233

www.efitekinox.com

ISO

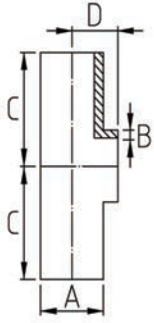


90° WELDED ELBOW ISO  
EN 10253-3



DN	A mm	B mm	C mm	D mm	E mm	kg	AISI 304/1.4301 Art.-Nr.	AISI 316L/1.4404 Art.-Nr.2
8	13.50	1.60	20.00			0.02	301340-1316	301370-1316
10	17.20	1.60	25.00			0.03	301340-1716	301370-1716
15	21.30	1.60	28.00			0.03	301340-2116	301370-2116
15	21.30	2.00	28.00			0.04	301340-2120	301370-2120
15	21.30	3.00	28.00			0.06	301340-2130	301370-2130
20	26.90	1.60	29.00			0.04	301340-2616	301370-2616
20	26.90	2.00	29.00			0.06	301340-2620	301370-2620
20	26.90	3.00	29.00			0.09	301340-2630	301370-2630
25	33.70	1.60	38.00			0.07	301340-3316	301370-3316
25	33.70	2.00	38.00			0.09	301340-3320	301370-3320
25	33.70	3.00	38.00			0.14	301340-3330	301370-3330
32	42.40	1.60	48.00			0.11	301340-4216	301370-4216
32	42.40	2.00	48.00			0.12	301340-4220	301370-4220
32	42.40	3.00	48.00			0.18	301340-4230	301370-4230
40	48.30	1.60	57.00			0.15	301340-4816	301370-4816
40	48.30	2.00	57.00			0.20	301340-4820	301370-4820
40	48.30	3.00	57.00			0.30	301340-4830	301370-4830
50	60.30	1.60	76.00			0.28	301340-6016	301370-6016
50	60.30	2.00	76.00			0.33	301340-6020	301370-6020
50	60.30	3.00	76.00			0.49	301340-6030	301370-6030
65	76.10	1.60	95.00			0.43	301340-7616	301370-7616
65	76.10	2.00	95.00			0.52	301340-7620	301370-7620
65	76.10	3.00	95.00			0.78	301340-7630	301370-7630
80	88.90	2.00	114.00			0.78	301340-8820	301370-8820
80	88.90	3.00	114.00			1.17	301340-8830	301370-8830
100	114.30	2.00	152.00			1.29	301340-11420	301370-11420
100	114.30	3.00	152.00			1.94	301340-11430	301370-11430
125	139.70	2.00	190.00			1.97	301340-13920	301370-13920
125	139.70	3.00	190.00			2.96	301340-13930	301370-13930
150	168.30	2.00	229.00			2.93	301340-16820	301370-16820
150	168.30	3.00	229.00			4.40	301340-16830	301370-16830
200	219.10	2.00	305.00			4.87	301340-21920	301370-21920
200	219.10	3.00	305.00			7.31	301340-21930	301370-21930

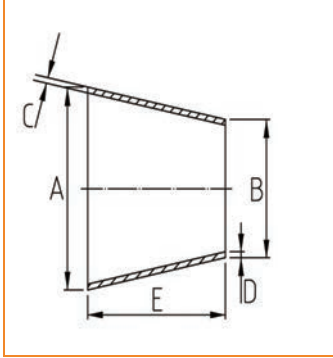
**WELDED SHORT TEE ISO**  
EN 10253-3



DN	A mm	B mm	C mm	D mm	E mm	kg	AISI 304/1.4301 Art.-Nr.	AISI 316L/1.4404 Art.-Nr.2
8	13.50	1.60	25.50	5.00		0.02	331340-1316	331370-1316
10	17.20	1.60	25.50	10.00		0.02	331340-1716	331370-1716
10	17.20	2.00	25.50	10.00		0.03	331340-1720	331370-1720
15	21.30	1.60	25.50	12.00		0.04	331340-2116	331370-2116
15	21.30	2.00	25.50	12.00		0.04	331340-2120	331370-2120
15	21.30	3.00	25.50	12.00		0.06	331340-2130	331370-2130
20	26.90	1.60	28.50	15.00		0.05	331340-2616	331370-2616
20	26.90	2.00	28.50	15.00		0.06	331340-2620	331370-2620
20	26.90	3.00	28.50	15.00		0.09	331340-2630	331370-2630
25	33.70	1.60	38.00	19.00		0.09	331340-3316	331370-3316
25	33.70	2.00	38.00	19.00		0.11	331340-3320	331370-3320
25	33.70	3.00	38.00	19.00		0.17	331340-3330	331370-3330
32	42.40	1.60	47.50	24.00		0.14	331340-4216	331370-4216
32	42.40	2.00	47.50	24.00		0.18	331340-4220	331370-4220
32	42.40	3.00	47.50	24.00		0.27	331340-4230	331370-4230
40	48.30	2.00	57.00	26.00		0.24	331340-4820	331370-4820
40	48.30	3.00	57.00	26.00		0.36	331340-4830	331370-4830
50	60.30	2.00	63.50	34.00		0.28	331340-6020	331370-6020
50	60.30	3.00	63.50	34.00		0.42	331340-6030	331370-6030
65	76.10	2.00	76.00	42.00		0.46	331340-7620	331370-7620
65	76.10	3.00	76.00	42.00		0.69	331340-7630	331370-7620
80	88.90	2.00	85.50	48.50		0.77	331340-8820	331370-8820
80	88.90	3.00	85.50	48.50		1.15	331340-8830	331370-8830
100	114.30	2.00	105.00	63.00		1.07	331340-11420	331370-11420
100	114.30	3.00	105.00	63.00		1.61	331340-11430	331370-11430
125	139.70	2.00	124.00	76.00		1.63	331340-13920	331370-13920
125	139.70	3.00	124.00	76.00		2.45	331340-13930	331370-13930
150	168.30	2.00	142.00	92.00		2.36	331340-16820	331370-16820
150	168.30	3.00	142.00	92.00		3.54	331340-16830	331370-16830
200	219.10	2.00	179.00	122.00		3.37	331340-21920	331370-21920
200	219.10	3.00	179.00	122.00		5.06	331340-21930	331370-21930

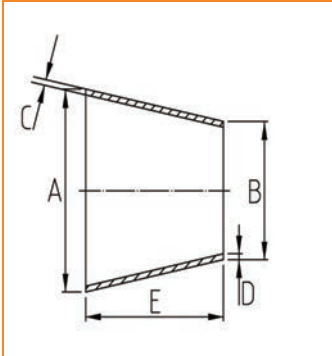
www.efitekinox.com

**WELDED CONCENTRIC REDUCER ISO**  
EN10253-3 T=2mm



DN	A mm	B mm	C mm	D mm	E mm	kg	AISI 304/1.4301 Art.-Nr.	AISI 316L/1.4404 Art.-Nr.2
10/8	17.20	13.50	2.00	2.00	11.00	0.01	341340-1713	341370-1713
15/8	21.30	13.50	2.00	2.00	23.00	0.02	341340-2113	341370-2113
15/10	21.30	17.20	2.00	2.00	12.00	0.02	341340-2117	341370-2117
20/8	26.90	13.50	2.00	2.00	40.00	0.02	341340-2613	341370-2613
20/10	26.90	17.20	2.00	2.00	29.00	0.02	341340-2617	341370-2617
20/15	26.90	21.30	2.00	2.00	17.00	0.02	341340-2621	341370-2621
25/10	33.70	17.20	2.00	2.00	49.00	0.07	341340-3317	341370-3317
25/15	33.70	21.30	2.00	2.00	37.00	0.05	341340-3321	341370-3321
25/20	33.70	26.90	2.00	2.00	20.00	0.03	341340-3326	341370-3326
32/15	42.40	21.30	2.00	2.00	63.00	0.10	341340-4221	341370-4221
32/20	42.40	26.90	2.00	2.00	46.00	0.08	341340-4226	341370-4226
32/25	42.40	33.70	2.00	2.00	26.00	0.05	341340-4233	341370-4233
40/15	48.30	21.30	2.00	2.00	81.00	0.15	341340-4821	341370-4821
40/20	48.30	26.90	2.00	2.00	64.00	0.12	341340-4826	341370-4826
40/25	48.30	33.70	2.00	2.00	44.00	0.09	341340-4833	341370-4833
40/32	48.30	42.40	2.00	2.00	18.00	0.04	341340-4842	341370-4842
50/20	60.30	26.90	2.00	2.00	100.00	0.22	341340-6026	341370-6026
50/25	60.30	33.70	2.00	2.00	80.00	0.20	341340-6033	341370-6033
50/32	60.30	42.40	2.00	2.00	54.00	0.14	341340-6042	341370-6042
50/40	60.30	48.30	2.00	2.00	36.00	0.10	341340-6048	341370-6048
65/25	76.10	33.70	2.00	2.00	127.00	0.35	341340-7633	341370-7633
65/32	76.10	42.40	2.00	2.00	101.00	0.30	341340-7642	341370-7642
65/40	76.10	48.30	2.00	2.00	83.00	0.26	341340-7648	341370-7648
65/50	76.10	60.30	2.00	2.00	47.00	0.16	341340-7660	341370-7660
80/32	88.90	42.40	2.00	2.00	139.00	0.46	341340-8842	341370-8842
80/40	88.90	48.30	2.00	2.00	122.00	0.43	341340-8848	341370-8848
80/50	88.90	60.30	2.00	2.00	86.00	0.32	341340-8860	341370-8860
80/65	88.90	76.10	2.00	2.00	38.00	0.16	341340-8876	341370-8876
100/40	114.30	48.30	2.00	2.00	198.00	0.84	341340-11448	341370-11448
100/50	114.30	60.30	2.00	2.00	162.00	0.71	341340-11460	341370-11460
100/65	114.30	76.10	2.00	2.00	115.00	0.55	341340-11476	341370-11476
100/80	114.30	88.90	2.00	2.00	76.00	0.39	341340-11488	341370-11488
125/50	139.70	60.30	2.00	2.00	238.00	1.25	341340-13960	341370-13960
125/65	139.70	76.10	2.00	2.00	191.00	1.04	341340-13976	341370-13976
125/80	139.70	88.90	2.00	2.00	152.00	0.82	341340-13988	341370-13988
129/100	139.70	114.30	2.00	2.00	76.00	0.49	341340-139114	341370-139114
150/65	168.30	76.10	2.00	2.00	276.00	1.75	341340-16876	341370-16876
150/80	168.30	88.90	2.00	2.00	238.00	1.55	341340-16888	341370-16888
150/100	168.30	114.30	2.00	2.00	162.00	1.16	341340-168114	341370-168114
150/125	168.30	139.70	2.00	2.00	86.00	0.67	341340-168139	341370-168139
200/100	219.10	114.30	2.00	2.00	315.00	2.66	341340-219114	341370-219114
200/125	219.10	139.70	2.00	2.00	238.00	2.17	341340-219139	341370-219139
200/150	219.10	168.30	2.00	2.00	152.00	2.05	341340-219168	341370-219168

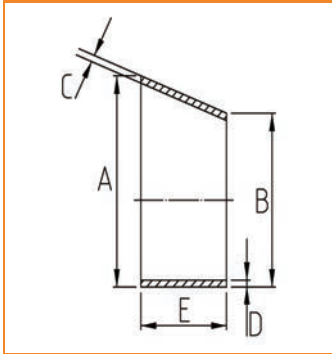
**WELDED CONCENTRIC REDUCER ISO**  
EN10253-3 T=3mm



DN	A mm	B mm	C mm	D mm	E mm	kg	AISI 304/1.4301 Art.-Nr.	AISI 316L/1.4404 Art.-Nr.2
10/8	17.20	13.50	3.00	3.00	11.00	0.02	345340-1713	345370-1713
15/8	21.30	13.50	3.00	3.00	23.00	0.03	345340-2113	345370-2113
15/10	21.30	17.20	3.00	3.00	12.00	0.03	345340-2117	345370-2117
20/8	26.90	13.50	3.00	3.00	40.00	0.03	345340-2613	345370-2613
20/10	26.90	17.20	3.00	3.00	29.00	0.03	345340-2617	345370-2617
20/15	26.90	21.30	3.00	3.00	17.00	0.03	345340-2621	345370-2621
25/10	33.70	17.20	3.00	3.00	49.00	0.11	345340-3317	345370-3317
25/15	33.70	21.30	3.00	3.00	37.00	0.08	345340-3321	345370-3321
25/20	33.70	26.90	3.00	3.00	20.00	0.05	345340-3326	345370-3326
32/15	42.40	21.30	3.00	3.00	63.00	0.15	345340-4221	345370-4221
32/20	42.40	26.90	3.00	3.00	46.00	0.12	345340-4226	345370-4226
32/25	42.40	33.70	3.00	3.00	26.00	0.08	345340-4233	345370-4233
40/15	48.30	21.30	3.00	3.00	81.00	0.23	345340-4821	345370-4821
40/20	48.30	26.90	3.00	3.00	64.00	0.18	345340-4826	345370-4826
40/25	48.30	33.70	3.00	3.00	44.00	0.13	345340-4833	345370-4833
40/32	48.30	42.40	3.00	3.00	18.00	0.06	345340-4842	345370-4842
50/20	60.30	26.90	3.00	3.00	100.00	0.33	345340-6026	345370-6026
50/25	60.30	33.70	3.00	3.00	80.00	0.30	345340-6033	345370-6033
50/32	60.30	42.40	3.00	3.00	54.00	0.21	345340-6042	345370-6042
50/40	60.30	48.30	3.00	3.00	36.00	0.15	345340-6048	345370-6048
65/25	76.10	33.70	3.00	3.00	127.00	0.53	345340-7633	345370-7633
65/32	76.10	42.40	3.00	3.00	101.00	0.45	345340-7642	345370-7642
65/40	76.10	48.30	3.00	3.00	83.00	0.39	345340-7648	345370-7648
65/50	76.10	60.30	3.00	3.00	47.00	0.24	345340-7660	345370-7660
80/32	88.90	42.40	3.00	3.00	139.00	0.69	345340-8842	345370-8842
80/40	88.90	48.30	3.00	3.00	122.00	0.65	345340-8848	345370-8848
80/50	88.90	60.30	3.00	3.00	86.00	0.48	345340-8860	345370-8860
80/65	88.90	76.10	3.00	3.00	38.00	0.24	345340-8876	345370-8876
100/40	114.30	48.30	3.00	3.00	198.00	1.26	345340-11448	345370-11448
100/50	114.30	60.30	3.00	3.00	162.00	1.07	345340-11460	345370-11460
100/65	114.30	76.10	3.00	3.00	115.00	0.83	345340-11476	345370-11476
100/80	114.30	88.90	3.00	3.00	76.00	0.59	345340-11488	345370-11488
125/50	139.70	60.30	3.00	3.00	238.00	1.88	345340-13960	345370-13960
125/65	139.70	76.10	3.00	3.00	191.00	1.56	345340-13976	345370-13976
125/80	139.70	88.90	3.00	3.00	152.00	1.23	345340-13988	345370-13988
129/100	139.70	114.30	3.00	3.00	76.00	0.74	345340-139114	345370-139114
150/65	168.30	76.10	3.00	3.00	276.00	2.63	345340-16876	345370-16876
150/80	168.30	88.90	3.00	3.00	238.00	2.33	345340-16888	345370-16888
150/100	168.30	114.30	3.00	3.00	162.00	1.74	345340-168114	345370-168114
150/125	168.30	139.70	3.00	3.00	86.00	1.01	345340-168139	345370-168139
200/100	219.10	114.30	3.00	3.00	315.00	3.99	345340-219114	345370-219114
200/125	219.10	139.70	3.00	3.00	238.00	3.26	345340-219139	345370-219139
200/150	219.10	168.30	3.00	3.00	152.00	3.08	345340-219168	345370-219168

WWW.EFITEK.INOX

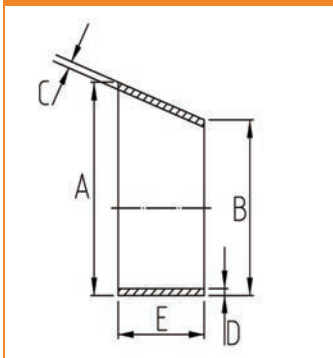
**WELDED ECCENTRIC REDUCER ISO  
EN10253-3**



DN	A mm	B mm	C mm	D mm	E mm	kg	AISI 304/1.4301 Art.-Nr.	AISI 316L/1.4404 Art.-Nr.2
10/8	17.20	13.50	2.00	2.00	11.00	0.01	343340-1713	343370-1713
15/8	21.30	13.50	2.00	2.00	23.00	0.02	343340-2113	343370-2113
15/10	21.30	17.20	2.00	2.00	12.00	0.02	343340-2117	343370-2117
20/8	26.90	13.50	2.00	2.00	40.00	0.02	343340-2613	343370-2613
20/10	26.90	17.20	2.00	2.00	29.00	0.02	343340-2617	343370-2617
20/15	26.90	21.30	2.00	2.00	17.00	0.02	343340-2621	343370-2621
25/10	33.70	17.20	2.00	2.00	49.00	0.07	343340-3317	343370-3317
25/15	33.70	21.30	2.00	2.00	37.00	0.05	343340-3321	343370-3321
25/20	33.70	26.90	2.00	2.00	20.00	0.03	343340-3326	343370-3326
32/15	42.40	21.30	2.00	2.00	63.00	0.10	343340-4221	343370-4221
32/20	42.40	26.90	2.00	2.00	46.00	0.08	343340-4226	343370-4226
32/25	42.40	33.70	2.00	2.00	26.00	0.05	343340-4233	343370-4233
40/15	48.30	21.30	2.00	2.00	81.00	0.15	343340-4821	343370-4821
40/20	48.30	26.90	2.00	2.00	64.00	0.12	343340-4826	343370-4826
40/25	48.30	33.70	2.00	2.00	44.00	0.09	343340-4833	343370-4833
40/32	48.30	42.40	2.00	2.00	18.00	0.04	343340-4842	343370-4842
50/20	60.30	26.90	2.00	2.00	100.00	0.22	343340-6026	343370-6026
50/25	60.30	33.70	2.00	2.00	80.00	0.20	343340-6033	343370-6033
50/32	60.30	42.40	2.00	2.00	54.00	0.14	343340-6042	343370-6042
50/40	60.30	48.30	2.00	2.00	36.00	0.10	343340-6048	343370-6048
65/25	76.10	33.70	2.00	2.00	127.00	0.35	343340-7633	343370-7633
65/32	76.10	42.40	2.00	2.00	101.00	0.30	343340-7642	343370-7642
65/40	76.10	48.30	2.00	2.00	83.00	0.26	343340-7648	343370-7648
65/50	76.10	60.30	2.00	2.00	47.00	0.16	343340-7660	343370-7660
80/32	88.90	42.40	2.00	2.00	139.00	0.46	343340-8842	343370-8842
80/40	88.90	48.30	2.00	2.00	122.00	0.43	343340-8848	343370-8848
80/50	88.90	60.30	2.00	2.00	86.00	0.32	343340-8860	343370-8860
80/65	88.90	76.10	2.00	2.00	38.00	0.16	343340-8876	343370-8876
100/40	114.30	48.30	2.00	2.00	198.00	0.84	343340-11448	343370-11448
100/50	114.30	60.30	2.00	2.00	162.00	0.71	343340-11460	343370-11460
100/65	114.30	76.10	2.00	2.00	115.00	0.55	343340-11476	343370-11476
100/80	114.30	88.90	2.00	2.00	76.00	0.39	343340-11489	343370-11489
125/50	139.70	60.30	2.00	2.00	238.00	1.25	343340-13960	343370-13960
125/65	139.70	76.10	2.00	2.00	191.00	1.04	343340-13976	343370-13976
125/80	139.70	88.90	2.00	2.00	152.00	0.82	343340-13988	343370-13988
129/100	139.70	114.30	2.00	2.00	76.00	0.49	343340-139114	343370-139114
150/65	168.30	76.10	2.00	2.00	276.00	1.75	343340-16876	343370-16876
150/80	168.30	88.90	2.00	2.00	238.00	1.55	343340-16888	343370-16888
150/100	168.30	114.30	2.00	2.00	162.00	1.16	343340-168114	343370-168114
150/125	168.30	139.70	2.00	2.00	86.00	0.67	343340-168139	343370-168139
200/100	219.10	114.30	2.00	2.00	315.00	2.66	343340-219114	343370-219114
200/125	219.10	139.70	2.00	2.00	238.00	2.17	343340-219139	343370-219139
200/150	219.10	168.30	2.00	2.00	152.00	2.05	343340-219168	343370-219168



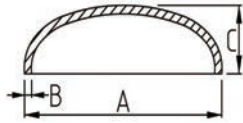
**WELDED ECCENTRIC REDUCER ISO**  
EN10253-3 T=3mm



DN	A mm	B mm	C mm	D mm	E mm	kg	AISI 304/1.4301 Art.-Nr.	AISI 316L/1.4404 Art.-Nr.2
10/8	17.20	13.50	3.00	3.00	11.00	0.02	346340-1713	346370-1713
15/8	21.30	13.50	3.00	3.00	23.00	0.03	346340-2113	346370-2113
15/10	21.30	17.20	3.00	3.00	12.00	0.03	346340-2117	346370-2117
20/8	26.90	13.50	3.00	3.00	40.00	0.03	346340-2613	346370-2613
20/10	26.90	17.20	3.00	3.00	29.00	0.03	346340-2617	346370-2617
20/15	26.90	21.30	3.00	3.00	17.00	0.03	346340-2621	346370-2621
25/10	33.70	17.20	3.00	3.00	49.00	0.11	346340-3317	346370-3317
25/15	33.70	21.30	3.00	3.00	37.00	0.08	346340-3321	346370-3321
25/20	33.70	26.90	3.00	3.00	20.00	0.05	346340-3326	346370-3326
32/15	42.40	21.30	3.00	3.00	63.00	0.15	346340-4221	346370-4221
32/20	42.40	26.90	3.00	3.00	46.00	0.12	346340-4226	346370-4226
32/25	42.40	33.70	3.00	3.00	26.00	0.08	346340-4233	346370-4233
40/15	48.30	21.30	3.00	3.00	81.00	0.23	346340-4821	346370-4821
40/20	48.30	26.90	3.00	3.00	64.00	0.18	346340-4826	346370-4826
40/25	48.30	33.70	3.00	3.00	44.00	0.14	346340-4833	346370-4833
40/32	48.30	42.40	3.00	3.00	18.00	0.06	346340-4842	346370-4842
50/20	60.30	26.90	3.00	3.00	100.00	0.33	346340-6026	346370-6026
50/25	60.30	33.70	3.00	3.00	80.00	0.30	346340-6033	346370-6033
50/32	60.30	42.40	3.00	3.00	54.00	0.21	346340-6042	346370-6042
50/40	60.30	48.30	3.00	3.00	36.00	0.15	346340-6048	346370-6048
65/25	76.10	33.70	3.00	3.00	127.00	0.53	346340-7633	346370-7633
65/32	76.10	42.40	3.00	3.00	101.00	0.45	346340-7642	346370-7642
65/40	76.10	48.30	3.00	3.00	83.00	0.39	346340-7648	346370-7648
65/50	76.10	60.30	3.00	3.00	47.00	0.24	346340-7660	346370-7660
80/32	88.90	42.40	3.00	3.00	139.00	0.69	346340-8842	346370-8842
80/40	88.90	48.30	3.00	3.00	122.00	0.65	346340-8848	346370-8848
80/50	88.90	60.30	3.00	3.00	86.00	0.48	346340-8860	346370-8860
80/65	88.90	76.10	3.00	3.00	38.00	0.24	346340-8876	346370-8876
100/40	114.30	48.30	3.00	3.00	198.00	1.26	346340-11448	346370-11448
100/50	114.30	60.30	3.00	3.00	162.00	1.07	346340-11460	346370-11460
100/65	114.30	76.10	3.00	3.00	115.00	0.83	346340-11476	346370-11476
100/80	114.30	88.90	3.00	3.00	76.00	0.59	346340-11488	346370-11488
125/50	139.70	60.30	3.00	3.00	238.00	1.88	346340-13960	346370-13960
125/65	139.70	76.10	3.00	3.00	191.00	1.56	346340-13976	346370-13976
125/80	139.70	88.90	3.00	3.00	152.00	1.23	346340-13988	346370-13988
129/100	139.70	114.30	3.00	3.00	76.00	0.74	346340-139114	346370-139114
150/65	168.30	76.10	3.00	3.00	276.00	2.63	346340-16876	346370-16876
150/80	168.30	88.90	3.00	3.00	238.00	2.33	346340-16888	346370-16888
150/100	168.30	114.30	3.00	3.00	162.00	1.74	346340-168114	346370-168114
150/125	168.30	139.70	3.00	3.00	86.00	1.01	346340-168139	346370-168139
200/100	219.10	114.30	3.00	3.00	315.00	3.99	346340-219114	346370-219114
200/125	219.10	139.70	3.00	3.00	238.00	3.26	346340-219139	346370-219139
200/150	219.10	168.30	3.00	3.00	152.00	3.08	346340-219168	346370-219168

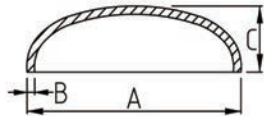
WWW.EFITEKINOX.COM

**PRESSED END CAP ISO EN10253-3**  
T=2mm



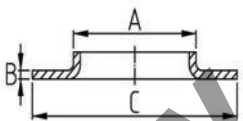
DN	A mm	B mm	C mm	D mm	E mm	kg	AISI 304/1.4301 Art.-Nr.	AISI 316L/1.4404 Art.-Nr.2
8	13.50	2.00	10.50			0.01	351340-1320	351370-1320
10	17.20	2.00	7.50			0.01	351340-1720	351370-1720
15	21.30	2.00	9.00			0.02	351340-2120	351370-2120
20	26.90	2.00	10.50			0.02	351340-2620	351370-2620
25	33.70	2.00	12.50			0.02	351340-3320	351370-3320
32	42.40	2.00	17.00			0.04	351340-4220	351370-4220
40	48.30	2.00	17.00			0.05	351340-4820	351370-4820
50	60.30	2.00	20.00			0.08	351340-6020	351370-6020
65	76.10	2.00	27.00			0.13	351340-7620	351370-7620
80	88.90	2.00	29.00			0.17	351340-8820	351370-8820
100	114.30	2.00	32.00			0.25	351340-11420	351370-11420
125	139.70	2.00	35.00			0.37	351340-13920	351370-13920
150	168.30	2.00	40.00			0.52	351340-16820	351370-16820
200	219.10	2.00	50.00			0.85	351340-21920	351370-21920

**PRESSED END CAP ISO EN10253-3**  
T=3mm



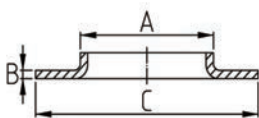
DN	A mm	B mm	C mm	D mm	E mm	kg	AISI 304/1.4301 Art.-Nr.	AISI 316L/1.4404 Art.-Nr.2
8	13.50	3.00	10.50			0.02	351340-1330	351370-1330
10	17.20	3.00	7.50			0.02	351340-1730	351370-1730
15	21.30	3.00	9.00			0.03	351340-2130	351370-2130
20	26.90	3.00	10.50			0.03	351340-2630	351370-2630
25	33.70	3.00	12.50			0.03	351340-3330	351370-3330
32	42.40	3.00	17.00			0.06	351340-4230	351370-4230
40	48.30	3.00	17.00			0.08	351340-4830	351370-4830
50	60.30	3.00	20.00			0.12	351340-6030	351370-6030
65	76.10	3.00	27.00			0.20	351340-7630	351370-7630
80	88.90	3.00	29.00			0.26	351340-8830	351370-8830
100	114.30	3.00	32.00			0.38	351340-11430	351370-11430
125	139.70	3.00	35.00			0.56	351340-13930	351370-13930
150	168.30	3.00	40.00			0.78	351340-16830	351370-16830
200	219.10	3.00	50.00			1.28	351340-21930	351370-21930

**PRESSED COLLAR ISO EN1092-1**  
T=2mm



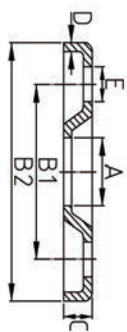
DN	A mm	B mm	C mm	D mm	E mm	kg	AISI 304/1.4301 Art.-Nr.	AISI 316L/1.4404 Art.-Nr.2
10	17.20	2.00	43.00			0.02	352340-1720	352370-1720
15	21.30	2.00	43.00			0.02	352340-2120	352370-2120
20	26.90	2.00	58.00			0.04	352340-2620	352370-2620
25	33.70	2.00	68.00			0.05	352340-3320	352370-3320
32	42.40	2.00	78.00			0.07	352340-4220	352370-4220
40	48.30	2.00	88.00			0.08	352340-4820	352370-4820
50	60.30	2.00	102.00			0.11	352340-6020	352370-6020
65	76.10	2.00	122.00			0.15	352340-7620	352370-7620
80	88.90	2.00	139.00			0.19	352340-8820	352370-8820
100	114.30	2.00	158.00			0.21	352340-11420	352370-11420
125	139.70	2.00	188.00			0.26	352340-13920	352370-13920
150	168.30	2.00	212.00			0.32	352340-16820	352370-16820
200	219.10	2.00	270.00			0.47	352340-21920	352370-21920

**PRESSED COLLAR ISO EN1092-1**  
T=3mm



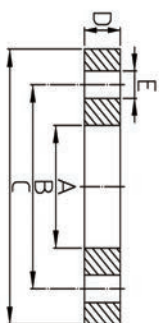
DN	A mm	B mm	C mm	D mm	E mm	kg	AISI 304/1.4301 Art.-Nr.	AISI 316L/1.4404 Art.-Nr.2
10	17.20	3.00	43.00			0.05	352340-1730	352370-1730
15	21.30	3.00	43.00			0.05	352340-2130	352370-2130
20	26.90	3.00	58.00			0.09	352340-2630	352370-2630
25	33.70	3.00	68.00			0.12	352340-3330	352370-3330
32	42.40	3.00	78.00			0.17	352340-4230	352370-4230
40	48.30	3.00	88.00			0.18	352340-4830	352370-4830
50	60.30	3.00	102.00			0.26	352340-6030	352370-6030
65	76.10	3.00	122.00			0.35	352340-7630	352370-7630
80	88.90	3.00	139.00			0.44	352340-8830	352370-8830
100	114.30	3.00	158.00			0.48	352340-11430	352370-11430
125	139.70	3.00	188.00			0.59	352340-13930	352370-13930
150	168.30	3.00	212.00			0.72	352340-16830	352370-16830
200	219.10	3.00	270.00			1.07	352340-21930	352370-21930

**LAPPED PRESSED FLANGE PN10**



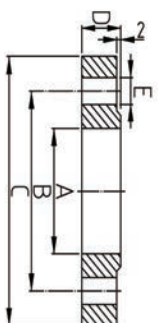
DN	A mm	B1/B2 mm	C mm	D mm	E mm	kg	AISI 304/1.4301 Art.-Nr.	AISI 316L/1.4404 Art.-Nr.2
15	24.00	0.68	12.00	3.00	4x13,5	0.20	205340-15	205370-15
20	30.00	0.71	14.00	3.00	4x13,5	0.24	205340-20	205370-20
25	37.00	0.74	16.00	3.00	4x13,5	0.26	205340-25	205370-25
32	46.00	0.71	16.00	3.00	4x17,5	0.42	205340-32	205370-32
40	54.00	0.73	17.50	4.00	4x17,5	0.61	205340-40	205370-40
50	65.00	0.76	19.50	4.00	4x17,5	0.75	205340-50	205370-50
65	81.00	0.78	21.00	4.00	4x17,5	0.95	205340-65	205370-65
80	94.00	0.80	21.00	4.00	8x17,5	1.10	205340-80	205370-80
100	119.00	0.82	22.00	4.00	8x17,5	1.30	205340-100	205370-100
125	145.00	0.84	22.00	5.00	8x17,5	1.80	205340-125	205370-125
150	173.00	0.84	26.00	5.00	8x21,5	2.38	205340-150	205370-150
200	225.00	0.87	28.00	6.00	8x21,5	3.41	205340-200	205370-200

**PLAIN WELDING FLANGE TYPE 01A EN1092-1 PN10/40**



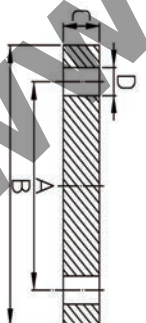
DN	A mm	B mm	C mm	D mm/ PN bar	E mm	kg	AISI 304/1.4301 Art.-Nr.	AISI 316L/1.4404 Art.-Nr.2
15	22.00	65.00	95.00	14 / PN40	4x14	0.70	201340-21	201370-21
20	27.50	75.00	105.00	16 / PN40	4x14	0.95	201340-26	201370-26
25	34.50	85.00	115.00	16 / PN40	4x14	1.30	201340-33	201370-33
32	43.50	100.00	140.00	18 / PN40	4x18	1.85	201340-42	201370-42
40	49.50	110.00	150.00	18 / PN40	4x18	2.25	201340-48	201370-48
50	61.50	125.00	165.00	19 / PN16	4x18	2.80	201340-60	201370-60
65	77.50	145.00	185.00	20 / PN16	8x18	3.00	201340-76	201370-76
80	90.50	160.00	200.00	20 / PN16	8x18	3.95	201340-88	201370-88
100	116.00	180.00	220.00	22 / PN16	8x18	4.40	201340-114	201370-114
125	141.50	210.00	250.00	22 / PN16	8x18	5.90	201340-139	201370-139
150	170.50	240.00	285.00	24 / PN16	8x22	7.10	201340-168	201370-168
200	221.50	295.00	340.00	24 / PN10	8x22	9.70	201340-219	201370-219

**PLAIN WELDING FLANGE TYPE 01B EN1092-1 PN10/40**



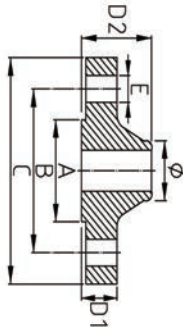
DN	A mm	B mm	C mm	D mm/ PN bar	E mm	kg	AISI 304/1.4301 Art.-Nr.	AISI 316L/1.4404 Art.-Nr.2
15	22.00	65.00	95.00	14 / PN40	4x14	0.70	206340-21	206370-21
20	27.50	75.00	105.00	16 / PN40	4x14	0.95	206340-26	206370-26
25	34.50	85.00	115.00	16 / PN40	4x14	1.30	206340-33	206370-33
32	43.50	100.00	140.00	18 / PN40	4x18	1.85	206340-42	206370-42
40	49.50	110.00	150.00	18 / PN40	4x18	2.25	206340-48	206370-48
50	61.50	125.00	165.00	19 / PN16	4x18	2.80	206340-60	206370-60
65	77.50	145.00	185.00	20 / PN16	8x18	3.00	206340-76	206370-76
80	90.50	160.00	200.00	20 / PN16	8x18	3.95	206340-88	206370-88
100	116.00	180.00	220.00	22 / PN16	8x18	4.40	206340-114	206370-114
125	141.50	210.00	250.00	22 / PN16	8x18	5.90	206340-139	206370-139
150	170.50	240.00	285.00	24 / PN16	8x22	7.10	206340-168	206370-168
200	221.50	295.00	340.00	24 / PN10	8x22	9.70	206340-219	206370-219

**BLIND FLANGE TYPE 05A EN1092-1**



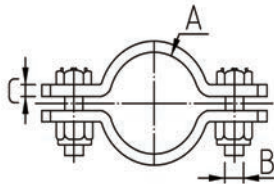
DN	A mm	B mm	C mm	D mm	E mm	kg	AISI 304/1.4301 Art.-Nr.	AISI 316L/1.4404 Art.-Nr.2
15	65.00	95.00	14.00	4x14	PN40	0.90	203340-21	203370-21
20	75.00	105.00	16.00	4x14	PN40	1.20	203340-26	203370-26
25	85.00	115.00	16.00	4x14	PN40	1.50	203340-33	203370-33
32	100.00	140.00	18.00	4x18	PN40	2.10	203340-42	203370-42
40	110.00	150.00	18.00	4x18	PN40	2.50	203340-48	203370-48
50	125.00	165.00	19.00	4x18	PN16	2.85	203340-60	203370-60
65	145.00	185.00	20.00	8x18	PN16	3.65	203340-76	203370-76
80	160.00	200.00	20.00	8x18	PN16	5.05	203340-88	203370-88
100	180.00	220.00	22.00	8x18	PN16	6.02	203340-114	203370-114
125	210.00	250.00	22.00	8x18	PN16	8.85	203340-139	203370-139
150	240.00	285.00	24.00	8x22	PN16	11.40	203340-168	203370-168
200	295.00	340.00	24.00	8x22	PN10	17.40	203340-219	203370-219

**WELDING NECK FLANGE TYPE 11B**  
EN1092-1



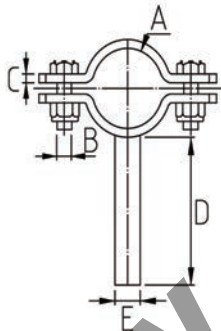
DN	A mm	B mm	C mm	D1/D2/ mm PN bar	E mm	kg	AISI 304/1.4301 Art.-Nr.	AISI 316L/1.4404 Art.-Nr.2
15	45.00	65.00	95.00	16/38/PN40	4x14	0.70	202340-21	202370-21
20	58.00	75.00	105.00	18/40/PN40	4x14	0.95	202340-26	202370-26
25	68.00	85.00	115.00	18/40/PN40	4x14	1.30	202340-33	202370-33
32	78.00	100.00	140.00	18/42/PN40	4x18	1.85	202340-42	202370-42
40	88.00	110.00	150.00	18/45/PN40	4x18	2.25	202340-48	202370-48
50	102.00	125.00	165.00	18/45/PN16	4x18	2.80	202340-60	202370-60
65	122.00	145.00	185.00	18/45/PN16	8x18	3.00	202340-76	202370-76
80	138.00	160.00	200.00	20/50/PN16	8x18	3.95	202340-88	202370-88
100	158.00	180.00	220.00	20/52/PN16	8x18	4.62	202340-114	202370-114
125	188.00	210.00	250.00	22/55/PN16	8x18	6.30	202340-139	202370-139
150	212.00	240.00	285.00	22/55/PN16	8x22	7.75	202340-168	202370-168
200	268.00	295.00	340.00	24/62/PN10	8x22	11.00	202340-219	202370-219

**ROUND PIPE HANGER ISO WITHOUT SHANK**



DN	A mm	B mm	C mm	D mm	E mm	kg	AISI 304/1.4301 Art.-Nr.	AISI 316L/1.4404 Art.-Nr.2
10	17.20	M6x20	20x3			0.05	361340-17	
15	21.30	M6x20	20x3			0.06	361340-21	
20	26.90	M6x20	20x3			0.07	361340-26	
25	33.70	M6x20	20x3			0.08	361340-33	
32	42.40	M6x20	20x3			0.09	361340-42	
40	48.30	M6x20	20x3			0.10	361340-48	
50	60.30	M6x25	20x3			0.12	361340-60	
65	76.10	M6x25	20x3			0.17	361340-76	
80	88.90	M6x25	25x3			0.21	361340-88	
100	114.30	M6x25	25x3			0.30	361340-114	
125	139.70	M8x30	30x4			0.40	361340-139	
150	168.30	M8x30	30x4			0.70	361340-168	
200	219.10	M8x30	30x4			1.00	361340-219	

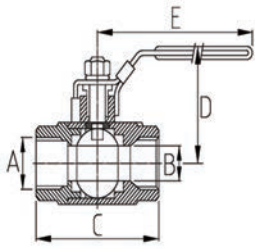
**ROUND PIPE HANGER ISO WITH SHANK**



DN	A mm	B mm	C mm	D mm	E mm	kg	AISI 304/1.4301 Art.-Nr.	AISI 316L/1.4404 Art.-Nr.2
10	17.20	M6x20	20x3	55.00	8.00	0.08	362340-17	
15	21.30	M6x20	20x3	55.00	8.00	0.09	362340-21	
20	26.90	M6x20	20x3	55.00	8.00	0.11	362340-26	
25	33.70	M6x20	20x3	55.00	10.00	0.12	362340-33	
32	42.40	M6x20	20x3	55.00	10.00	0.13	362340-42	
40	48.30	M6x20	20x3	55.00	12.00	0.16	362340-48	
50	60.30	M6x25	20x3	55.00	12.00	0.17	362340-60	
65	76.10	M6x25	20x3	55.00	12.00	0.22	362340-76	
80	88.90	M6x25	25x3	55.00	12.00	0.26	362340-88	
100	114.30	M6x25	25x3	55.00	12.00	0.45	362340-114	
125	139.70	M8x30	30x4	55.00	14.00	0.55	362340-139	
150	168.30	M8x30	30x4	55.00	14.00	0.80	362340-168	
200	219.10	M8x30	30x4	55.00	14.00	1.10	362340-219	

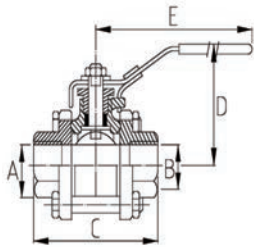


## 2 PIECES FEMALE/FEMALE FULL BORE BALL VALVE PN64



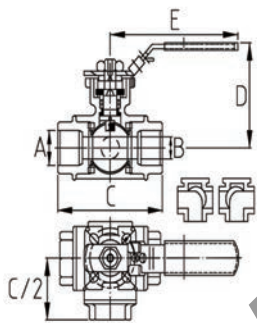
DN	A mm	B mm	C mm	D mm	E mm	kg	AISI 304/1.4301 Art.-Nr.	AISI 316/1.4408 Art.-Nr.2
8	1/4"	11.60	36-55	41-48	76-104	0.25	501340-13	501360-13
10	3/8"	12.50	42-60	41-48	76-104	0.25	501340-17	501360-17
15	1/2"	15.00	48-75	46-52	85-104	0.32	501340-21	501360-21
20	3/4"	20.00	58-80	57-61	95-128	0.46	501340-26	501360-26
25	1"	25.00	68-90	63-68	111-128	0.77	501340-33	501360-33
32	1 1/4"	32.00	80-110	74-79	120-156	1.12	501340-42	501360-42
40	1 1/2"	38.00	90-120	81-85	150-156	1.74	501340-48	501360-48
50	2"	50.00	109-140	94-102	150-194	2.65	501340-60	501360-60
65	2 1/2"	65.00	139-185	120-129	215-246	5.35	501340-76	501360-76
80	3"	76.00	157-205	130-138	215-246	7.43	501340-88	501360-88

## 3 PIECES FEMALE/FEMALE FULL BORE BALL VALVE PN64



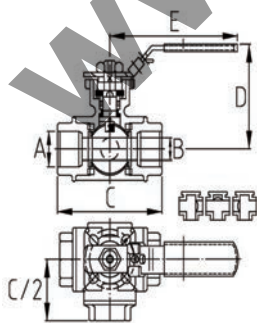
DN	A mm	B mm	C mm	D mm	E mm	kg	AISI 304/1.4301 Art.-Nr.	AISI 316/1.4408 Art.-Nr.2
8	1/4"	11.00	50-55	48-64	91-104	0.39	502340-13	502360-13
10	3/8"	12.00	50-60	48-64	91-104	0.41	502340-17	502360-17
15	1/2"	15.00	60-75	52-64	103-104	0.53	502340-21	502360-21
20	3/4"	20.00	70-80	61-73	111-123	0.79	502340-26	502360-26
25	1"	25.00	80-90	65-89	123-150	1.20	502340-33	502360-33
32	1 1/4"	32.00	93-110	79-95	150-153	1.86	502340-42	502360-42
40	1 1/2"	38.00	100-120	83-120	153-168	2.57	502340-48	502360-48
50	2"	50.00	125-140	97-129	168-190	3.89	502340-60	502360-60
65	2 1/2"	64.00	158-185	135-140	243-250	8.30	502340-76	502360-76
80	3"	76.00	179-205	144-147	243-250	12.25	502340-88	502360-88
100	4"	94.00	223-240	172-175	315-400	18.65	502340-114	502360-114

## L PORTE 3 WAYS FEMALE REDUCE BORE PN64



DN	A mm	B mm	C mm	D mm	E mm	kg	AISI 304/1.4301 Art.-Nr.	AISI 316/1.4408 Art.-Nr.2
8.00	1/4"	9.00	79.00	73.00	139.00	0.75	504340-13	504360-13
12.00	3/8"	11.00	79.00	73.00	139.00	0.75	504340-17	504360-17
15.00	1/2"	12.50	79.00	73.00	139.00	0.75	504340-21	504360-21
20.00	3/4"	16.00	83.00	80.00	139.00	1.30	504340-26	504360-26
25.00	1"	20.00	104.00	95.00	160.00	1.80	504340-33	504360-33
32.00	1 1/4"	25.00	111.00	98.00	160.00	2.70	504340-42	504360-42
40.00	1 1/2"	32.00	126.00	110.00	185.00	3.90	504340-48	504360-48
50.00	2"	38.00	147.00	119.00	185.00	6.80	504340-60	504360-60

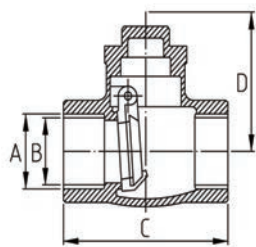
## T PORTE 3 WAYS FEMALE REDUCE BORE PN64



DN	A mm	B mm	C mm	D mm	E mm	kg	AISI 304/1.4301 Art.-Nr.	AISI 316/1.4408 Art.-Nr.2
8.00	1/4"	9.00	79.00	73.00	139.00	0.75	505340-13	505360-13
12.00	3/8"	11.00	79.00	73.00	139.00	0.75	505340-17	505360-17
15.00	1/2"	12.50	79.00	73.00	139.00	0.75	505340-21	505360-21
20.00	3/4"	16.00	83.00	80.00	139.00	1.30	505340-26	505360-26
25.00	1"	20.00	104.00	95.00	160.00	1.80	505340-33	505360-33
32.00	1 1/4"	25.00	111.00	98.00	160.00	2.70	505340-42	505360-42
40.00	1 1/2"	32.00	126.00	110.00	185.00	3.90	505340-48	505360-48
50.00	2"	38.00	147.00	119.00	185.00	6.80	505340-60	505360-60

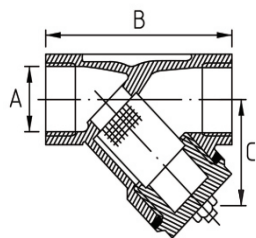


**SWING CHECK VALVE PN16**



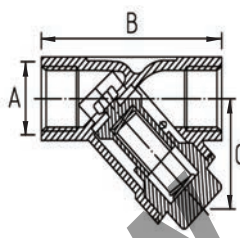
DN	A mm	B mm	C mm	D mm	E mm	kg	AISI 304/1.4301 Art.-Nr.	AISI 316/1.4408 Art.-Nr.2
15	1/2"	15.00	65.00	45.00		0.29	509340-21	509360-21
20	3/4"	20.00	80.00	55.00		0.49	509340-26	509360-26
25	1"	25.00	90.00	58.00		0.69	509340-33	509360-33
32	1"1/4	32.00	105.00	62.00		1.05	509340-42	509360-42
40	1"1/2	40.00	120.00	75.00		1.58	509340-48	509360-48
50	2"	50.00	140.00	78.00		2.34	509340-60	509360-60

**Y TYPE STRAINER PN40**



DN	A mm	B mm	C mm	D mm	E mm	kg	AISI 304/1.4301 Art.-Nr.	AISI 316/1.4408 Art.-Nr.2
8	1/4"	65.00	33.00			0.16	511340-13	511360-13
10	3/8"	65.00	33.00			0.15	511340-17	511360-17
15	1/2"	65.00	35.00			0.21	511340-21	511360-21
20	3/4"	80.00	45.00			0.28	511340-26	511360-26
25	1"	90.00	57.00			0.46	511340-33	511360-33
32	1"1/4	105.00	58.00			0.68	511340-42	511360-42
40	1"1/2	120.00	66.00			0.93	511340-48	511360-48
50	2"	140.00	77.00			1.44	511340-60	511360-60

**Y TYPE SPRING CHECK VALVE PN40**



DN	A mm	B mm	C mm	D mm	E mm	kg	AISI 304/1.4301 Art.-Nr.	AISI 316/1.4408 Art.-Nr.2
8	1/4"	65.00	33.00			0.16	512340-13	512360-13
10	3/8"	65.00	33.00			0.15	512340-17	512360-17
15	1/2"	65.00	35.00			0.21	512340-21	512360-21
20	3/4"	80.00	45.00			0.28	512340-26	512360-26
25	1"	90.00	57.00			0.46	512340-33	512360-33
32	1"1/4	105.00	58.00			0.68	512340-42	512360-42
40	1"1/2	120.00	66.00			0.93	512340-48	512360-48
50	2"	140.00	77.00			1.44	512340-60	512360-60

[www.efitek-inox.com](http://www.efitek-inox.com)



**Efitek**  
INOX



[www.efitekinox.com](http://www.efitekinox.com)